

安全设备

Safety equipment

应急洗眼器是安全防护和劳动保护设备，在有人员因眼睛或者身体接触有毒有害以及其他腐蚀性化学物质而受伤时，可立即用此设备对眼睛和身体进行紧急冲洗或者冲淋，以避免化学物质对人体造成进一步伤害。

As a safety and labour protection device, when on-site operators' eyes or body are injured by contacting with toxic, harmful, or other corrosive chemicals, it is necessary to immediately flush or rinse the eyes or body by emergency safety shower, so as to avoid further harm.



第 43 期 NO.43



中国劳保行业推荐品牌
Recommended brand by Chinese labour protection industry

应急喷淋和洗眼设备专业制造商

Professional manufacturer of emergency shower and eyewash equipments

应急喷淋和洗眼设备国家标准起草单位

Drafter of the Chinese National Standards on emergency shower and eyewash equipments

河北润旺达洁具制造有限公司

地址：河北省衡水市武强县工业区
电话：0318-3965999 3965888
传真：0318-3965999
邮政编码：053300
网址：www.eyewash.cn
邮箱：postmaster@chinawujie.com

HEBEI RUNWANGDA MAKING CLEAN MATERIALS CO.,LTD

ADD:Industrial District,Wuqiang county ,Hebei province,China
TEL:+86-318-3832252 38321633
FAX:+86-318-3965999
POSTCODE: 053300
HTTP://www.runwangda.net
E-MAIL:postmaster@chinawujie.com



本公司图片所示产品造型及颜色以实物为准，产品型号方面如有更改，恕不另行通知
In term of print,the model and color of our products in catalogue must be standard as real object,
Subject to change of product model without prior notice



— SINCE 1982 —

公司简介

河北润旺达洁具制造有限公司创建于1982年，总部占地40余亩，拥有职工200余人，是国内历史悠久、规模较大的紧急冲淋洗眼器制造商。专注于紧急冲淋洗眼器产品的研发和生产，涉及领域包括教育、科研、制药、医疗、化工、石化、电子、冶金、机械等。

润旺达公司拥有重力铸造、冲压、数控精加工、抛光、电镀、喷塑、塑胶、激光打标、组装一条龙生产线，生产设备精良，生产力量雄厚，拥有2000m²成品仓库，严格依照国家标准GB/T38144.1-2019和美标ANSIZ358.1-2014生产，严格按照ISO9000国际质量管理体系，运用ERP管理系统优化业务管理流程，为顾客提供优质便捷的服务。润旺达在国内外享有誉名，产品同时出口到国外二十多个国家，为多家国际厂家提供OEM贴牌加工，与国际先进标准并轨。

经过多年的发展，润旺达斥资建立了大型模具开发中心和产品检测中心，模具开发中心拥有多台美国HAAS数控模具加工中心、车削中心、镗铣中心、线切割中心、电火花等国内外知名数控设备；产品检测中心拥有光谱仪、盐雾试验机、寿命测试机、水压密封测试机、气密性测试机、强度测试机、流量测试机等多台先进检测设备，构建了高效的企业研发和产品检测体系，起草制定国家标准《应急喷淋和洗眼设备》，不断提升生产工艺和效率，获得多项洗眼器专利证书，满足并超越行业需求。

润旺达公司为中国安全生产协会会员、中国纺织品商业协会安全健康防护用品委员会理事单位、中国教育装备协会会员，润旺达公司参与起草制定了《眼面部防护应急喷淋和洗眼设备 GB/T 38144.1-2019》洗眼器标准，紧急洗眼器系列产品通过CE认证，通过美国ANSIZ358.1-2014标准检测，被评选为全国劳保行业推荐品牌。

润旺达公司努力做好每个细节，为您提供优质的产品和服务。

COMPANY INTRODUCTION

Hebei Runwangda Making Clean Materials Co., Ltd., founded in 1982, the headquarters covers an area of over 26,000 square meters, has more than 200 employees, which is one of the largest domestic Emergency shower and eye wash manufacturers with a long history. Focus on the Emergency shower and eye wash products research & development and production, involving areas such as education, scientific research, pharmaceutical, medical, chemical, petrochemical, electronics, metallurgy, machinery, etc.

Runwangda company has gravity casting, stamping, CNC machining, polishing, electroplating, plastic spraying, laser marking, assembling one-stop production lines, excellent production equipment, strong production strength and the warehouse covers over 2000 m² for finished goods. Strictly in accordance with the national standard GB/T 38144.1-2019 production, Products conform to ANSIZ358.1-2014, management in accordance with the international ISO9000 Quality system, using the ERP system to optimize business process, to provide customers with high quality and convenient service. Runwangda enjoys a good reputation in the domestic and overseas, products are exported to more than 30 countries, provides OEM processing for many international well-known company, synchronizes the advanced international standards.

After many years development, Runwangda established large mold development center and product testing center, mold development plant has several American HAAS CNC mold machining center, turning center, boring and milling center, line cutting, EDM and other domestic and foreign well-known numerical control equipment; Product testing center has spectrometer, salt spray testing machine, lifetime testing machine, hydraulic pressure testing machine, air tightness testing machine, strength testing machine, flow testing machine etc., many sets of advanced testing equipment, built the efficient enterprise research & development and product testing system, participated in the national standard project "emergency shower and eye wash equipment" declare and project work, improving production technology and efficiency, winning many eye wash products patent certificates, meet and exceed industry requirement.

Runwangda company is a membership of China Safety Production Association, Protective equipment safety and Health Committee China textile Commercial Association director unit, China Education Equipment Association, the faucet products passed Chinese water-saving certification, emergency eye wash series products passed the CE Certification, CSA Certification, passed the United States ANSIZ358.1-2014 standard testing, named recommended brand by the national labor insurance industry.

Runwangda company makes effort to do every detail to provide you high quality products and services.

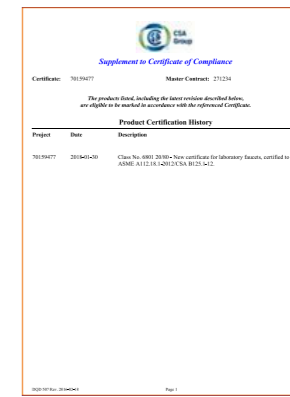
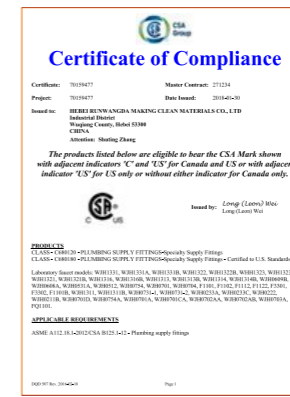
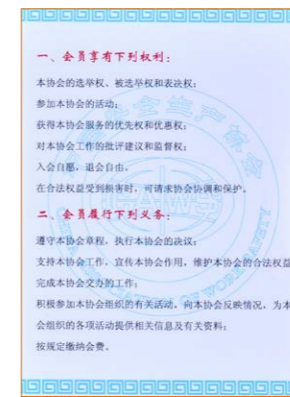
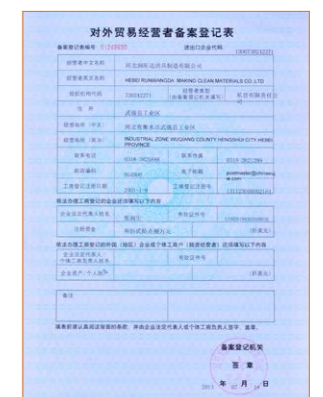
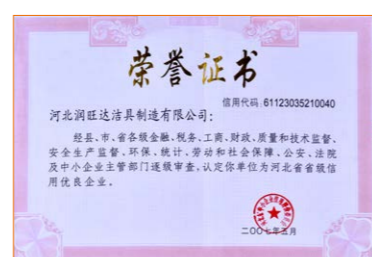
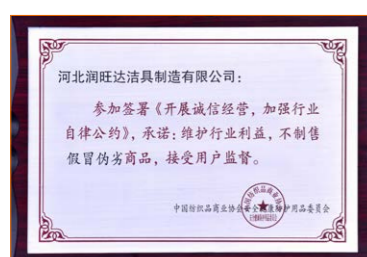
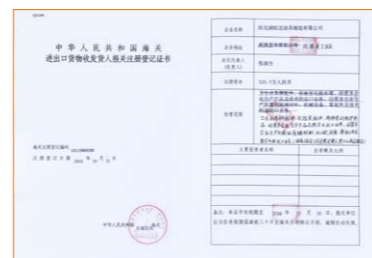
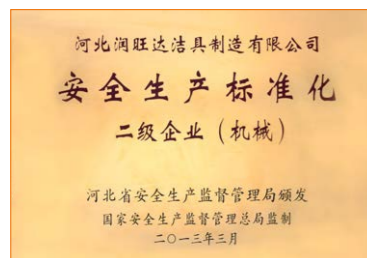
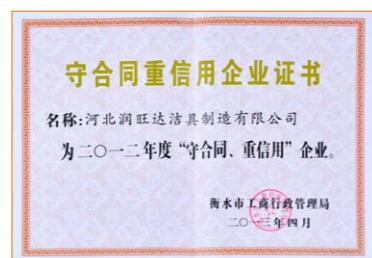


产品目录

PRODUCT CATALOG

复合式紧急冲淋洗眼器 COMBINED EMERGENCY SHOWER & EYE WASH	01
防冻式紧急冲淋洗眼器 ANTI-FREEZING EMERGENCY SHOWER & EYE WASH	15
紧急冲淋洗眼房 EMERGENCY SHOWER & EYE WASH ROOM	25
立式紧急洗眼器 FLOOR-MOUNT EMERGENCY EYE WASH	29
接墙式紧急冲淋洗眼器 WALL-MOUNT EMERGENCY SHOWER & EYE WASH	33
便携式紧急冲肤 / 洗眼器 PORTABLE EMERGENCY EYE WASH	36
台式紧急移动洗眼器 BENCH-MOUNT/HAND-HELD EYE WASH	43
进口洗眼液 Imported Eyewash	48
洗眼器可选配件清单表 LIST OF OPTIONAL PARTS	49

荣誉证书
PRODUCT CATALOG



复合式紧急冲淋洗眼器

紧急冲淋洗眼器是广泛使用于医药、化工、石化、电子、半导体企业中危险工作区域和实验室的紧急救护安全装置。当发生化学液体或者有毒物质喷溅到工作人员身体、脸、眼或发生火灾引起工作人员衣物着火时，该装置能迅速将危害降到最低程度，减少有毒有害物质对工作人员身体伤害。

Emergency Shower & Eye Wash

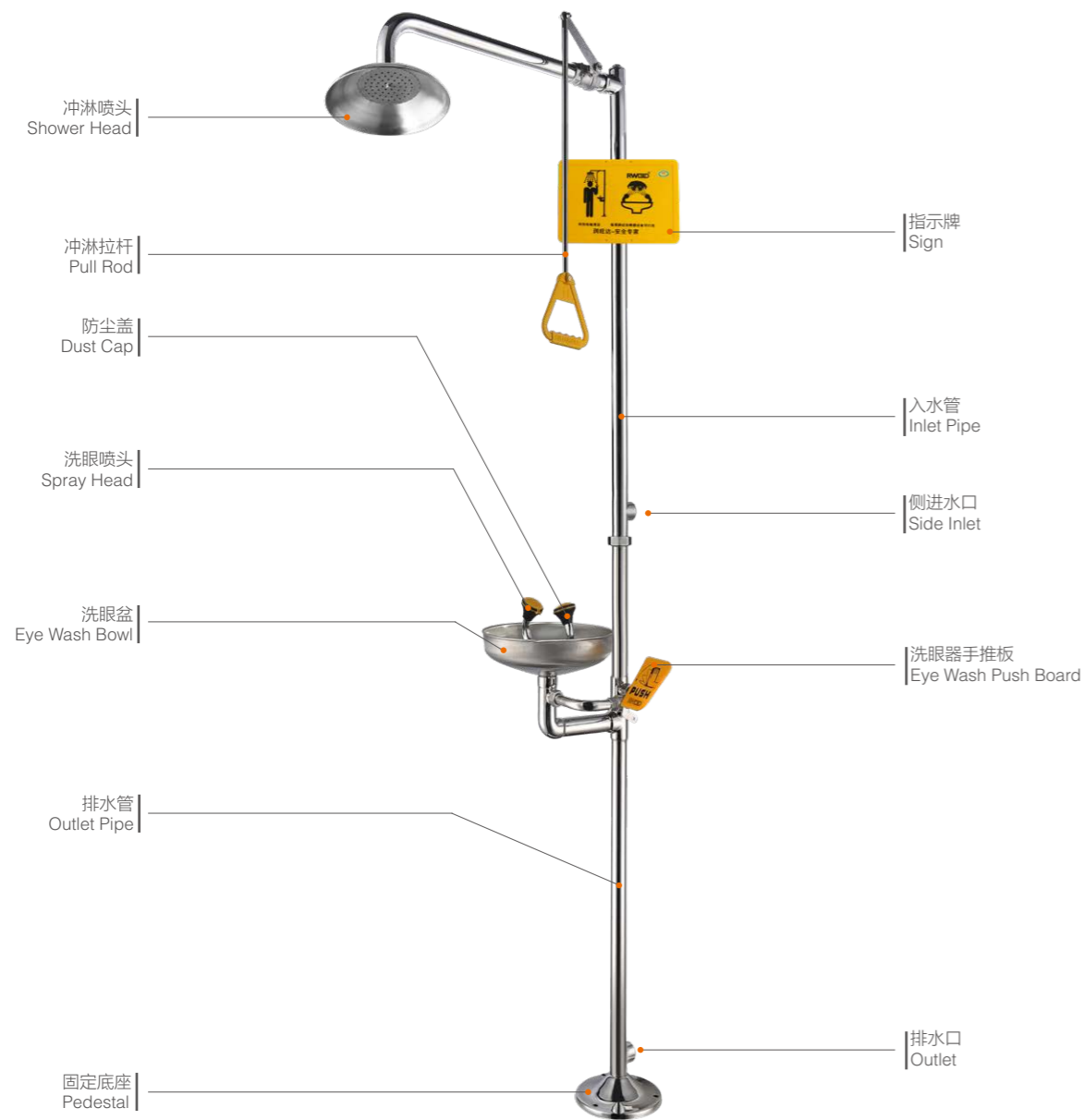
As first aid equipment, emergency shower and eye wash units are widely used at working area and laboratories in the fields of pharmaceutical, chemical, petrochemical, electronics, semi-conductor industries, where danger tends to occur unexpectedly. In the event of an accident of chemical or poison spill or fire, this equipment delivers water to rinse contaminants from a user's body, face, and eyes, so as to minimize damage and harm to injured worker.

RWD 紧急冲淋洗眼器执行 GB/T 38144.1—2019 国标

RWD 紧急冲淋洗眼器采用美国先进技术，符合美标 ANSI Z358.1-2014，产品依据 GB/T 38144.1—2019 标准生产。该标准中对紧急冲淋洗眼器每个组成部分的长度、高度、水流量、水流在定点高度的截面积等方面都做了详细的规定，RWD 紧急冲淋洗眼器系列均能达到标准。在此之上，RWD 紧急冲淋洗眼器系列洗眼喷头高度与角度完全依照面部比例设计，出水孔经过特殊处理，喷出的水更加温和，使用过程中不会因水流过激伤害眼膜与眼睛内部的神经。

RWD Emergency Shower & Eye Wash in Accordance with GB/T 38144.1—2019

RWD emergency shower and eye washer adopts advanced American technology, conforms to American standard ANSI Z358.1-2014, and the products are produced according to GB/T 38144.1-2019 standard, which sets standard for length, height, flow volume and spray area, etc., for emergency equipment. Eye wash is ergonomically designed with two spray heads, height and angle of the heads offer face most comfort. The specially designed spray holes soften water spray and protect eyes effectively.

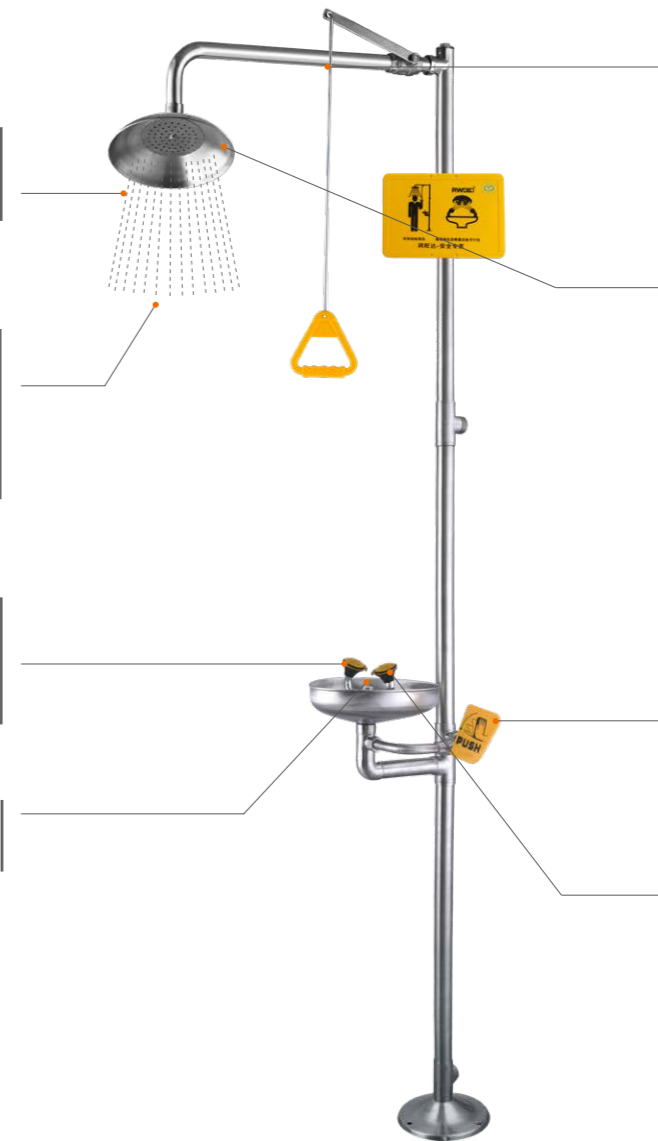


标准水压下，冲淋喷头流量均可达到 76 升 / 分钟
 At standard water pressure, shower provides 76 liters of water per minute

标准水压下，在离固定底座 1520mm 水平面处，冲淋器流出的水散开的范围为 510mm
 At standard water pressure, at the height of 1520 mm above the shower pedestal, the water pattern covers a circular area of at least 510 mm in diameter

标准水压下，洗眼喷头流量均可达到 11.4 升 / 分钟
 At standard water pressure, eye wash unit provides 11.4 liters of water per minute

两个洗眼器喷头相距 170mm
 Distance between two spray heads is 170mm



冲淋开关球阀能在 1 秒内快速启动
 Shower stay-open valve activated in one second

冲淋喷头至固定底座高度 2080mm-2440mm
 The height of shower head is 2080 mm-2440 mm from above the pedestal

洗眼器开关球阀能在 1 秒内快速启动
 Eyewash stay-open valve activates in one second

洗眼喷头至固定底座高度 838mm-1143mm
 The height of spray head is 838mm-1143mm from above the pedestal

所有紧急冲淋洗眼器均可接受来样定做；RWD 也可根据客户要求，定制不同颜色。
 RWD Emergency Shower & Eye Wash can be designed and sampled, also offers customers different colors as customers' request.



复合式紧急冲淋洗眼器

- 材质: SS304
- 表面处理: 精细抛光, 以增强产品耐腐蚀能力
- 安装特点: 采用“插入式”快接方式, 安装时长较传统洗眼器时长缩短 2/3
- 使用功能: 喷淋 + 洗眼 (可同时使用, 也可分开使用)
- 开关球阀: 两片式快开球阀
- 冲淋喷头: 旋压式卷边工艺设计, 直径 250mm
- 管道直径: 38mm
- 公称压力: 1.0Mpa
- 工作压力: 0.2 ~ 0.4Mpa
- 测试压力: 1.5Mpa
- 使用环境温度: 0°C ~ 40°C
- 喷淋水流量: ≥ 76 L/min
- 洗脸 / 洗眼水流量: ≥ 11.4 L/min
- 洗眼盆: 300mm 直边设计, 聚水集中, 防止飞溅
- 防尘盖: 主体一体式设计, 不易丢失
- 洗眼喷头特点: 专利设计, 自带双流量调节阀
- 进水口尺寸: 1" 英制内螺纹
- 排水口尺寸: 1" 英制内螺纹
- 进水口高度: 1201mm
- 排水口高度: 86mm
- 洗眼喷头间距: 170mm
- 出水范围: 距站立面 1520mm 高度, 出水范围直径至少为 510mm

★备注: 进、排水口尺寸可按用户需求定制, 建议进水口设置维修应急阀门和过滤器。
 可添加不锈钢脚踏板控制洗眼开关。

COMBINED EMERGENCY SHOWER & EYE WASH

- Material: Stainless Steel 304
- Surface finishing: fine-polished, which makes the pipe surface performs better on corrosion resistance
- Assembling feature: pipes connected by innovative inserting & turning
- Usage: drenching body and rinsing faces / eyes can be operated separately or simultaneously
- Shower & eye wash switch: two-piece ball valve
- Shower head: spinning-formed with curled rim, diameter 250 mm
- Pipe diameter: 38 mm
- Nominal pressure: 1.0 Mpa
- Working pressure: 0.2~0.4 Mpa
- Testing pressure: 1.5 Mpa
- Temperature requirement on working environment: 0°C~40°C
- Flow rate of body shower: ≥ 76 L/min
- Flow rate of eye/face wash: ≥ 11.4 L/min
- Eyewash bowl features: 300 mm in diameter, vertical bowl-wall design, allows better water collecting and anti-splashing
- Dust cover: integrated with the spray head (not connected by chain), and easily removed by water flow.
- Spray head feature: patented design, each spray head equips with one water-flow control valve
- Inlet thread: Rp 1", female
- Outlet thread: Rp 1", female
- Inlet height (from above the floor): 1201 mm
- Outlet height (from above the floor): 86 mm
- Distance between spray heads: 170 mm
- Water pattern coverage: at the height of 1520 mm above floor, the water pattern covers a circular area of at least 510 mm in diameter

★ Notes: the inlet part and outlet part are customizable;
 shutoff valve and filter are proposed to be equipped on the water-supply end;
 stainless steel - made foot treadle is optional as eye wash switch



● 采用“插入式”管道连接方式, 能快速的装配和拆卸, 方便安装和日常维护。
 Adopt UNION type pipe connection, can quickly assemble and disassembled, is easy to install and daily maintenance.

WJH0358A-3

复合式紧急冲淋洗眼器

- 材质: SS304
- 表面处理: 高亮度环氧树脂涂层
- 安装特点: 采用“插入式”快接方式, 安装时长较传统洗眼器时长缩短 2/3
- 使用功能: 喷淋 + 洗眼 (可同时使用, 也可分开使用)
- 开关球阀: 两片式快开球阀
- 冲淋喷头: 旋压式卷边工艺设计, 直径 250mm
- 管道直径: 38mm
- 公称压力: 1.0Mpa
- 工作压力: 0.2 ~ 0.4Mpa
- 测试压力: 1.5Mpa
- 使用环境温度: 0°C ~ 40°C
- 喷淋水流量: ≥ 76 L/min
- 洗脸 / 洗眼水流量: ≥ 11.4 L/min
- 洗眼盆: PC 可视化透明盖, 洗眼盆 ABS 材质
- 洗眼喷头特点: 专利设计, 自带双流量调节阀
- 进水口尺寸: 1" 英制内螺纹
- 排水口尺寸: 1" 英制内螺纹
- 进水口高度: 1186mm
- 排水口高度: 86mm
- 洗眼喷头间距: 170mm
- 出水范围: 距站立面 1520mm 高度, 出水范围直径至少为 510mm

★备注: 进、排水口尺寸可按用户需求定制, 建议进水口设置维修应急阀门和过滤器。

COMBINED EMERGENCY SHOWER & EYE WASH

- Material: Stainless Steel 304
- Surface finishing: glossy epoxy coated
- Assembling feature: pipes connected by innovative inserting & turning
- Usage: drenching body and rinsing faces / eyes can be operated separately or simultaneously
- Shower & eye wash switch: two-piece ball valve
- Shower head: spinning-formed with curled rim, diameter 250 mm
- Pipe diameter: 38 mm
- Nominal pressure: 1.0 Mpa
- Working pressure: 0.2~0.4 Mpa
- Testing pressure: 1.5 Mpa
- Temperature requirement on working environment: 0°C~40°C
- Flow rate of body shower: ≥ 76 L/min
- Flow rate of eye/face wash: ≥ 11.4 L/min
- Eyewash bowl features: ABS bowl, transparent PC bowl cover
- Spray head feature: patented design, each spray head equips with one water-flow control valve
- Inlet thread: Rp 1", female
- Outlet thread: Rp 1", female
- Inlet height (from above the floor): 1186 mm
- Outlet height (from above the floor): 86 mm
- Distance between spray heads: 170 mm
- Water pattern coverage: at the height of 1520 mm above floor, the water pattern covers a circular area of at least 510 mm in diameter

★ Notes: the inlet part and outlet part are customizable;
 shutoff valve and filter are proposed to be equipped on the water-supply end.



● 可视化洗眼盆, 安全洁净一步到位
 Visual eye wash basin, safe and clean in one step.

WJH0358A-3L (带翻盖洗眼器)

复合式紧急冲淋洗眼器

- 材质: SS304
- 表面处理: 精细抛光 / 高亮度环氧树脂涂层
- 安装特点: 采用“由任式”管道连接方式, 能够快速的装配和拆卸
- 使用功能: 喷淋 + 洗眼 (可同时使用, 也可分开使用)
- 开关球阀: 两片式快开球阀
- 冲淋喷头: 旋压式卷边工艺设计, 直径 250mm
- 管道直径: 38mm
- 公称压力: 1.0Mpa
- 工作压力: 0.2 ~ 0.4Mpa
- 测试压力: 1.5Mpa
- 使用环境温度: 0°C ~ 40°C
- 喷淋水流量: ≥ 76 L/min
- 洗脸 / 洗眼水流量: ≥ 11.4 L/min
- 洗眼盆: 300mm 直边设计, 聚水集中, 防止飞溅
- 防尘盖: 主体一体式设计, 不易丢失
- 洗眼喷头特点: 专利设计, 自带双流量调节阀
- 进水口尺寸: 1" 英制内螺纹
- 排水口尺寸: 1" 英制内螺纹
- 进水口高度: 1186mm
- 排水口高度: 86mm
- 洗眼喷头间距: 170mm
- 出水范围: 距站立面 1520mm 高度, 出水范围直径至少为 510mm

★备注: 进、排水口尺寸可按用户需求定制, 建议进水口设置维修应急阀门和过滤器。
 可添加不锈钢脚踏板, 控制洗眼开关。



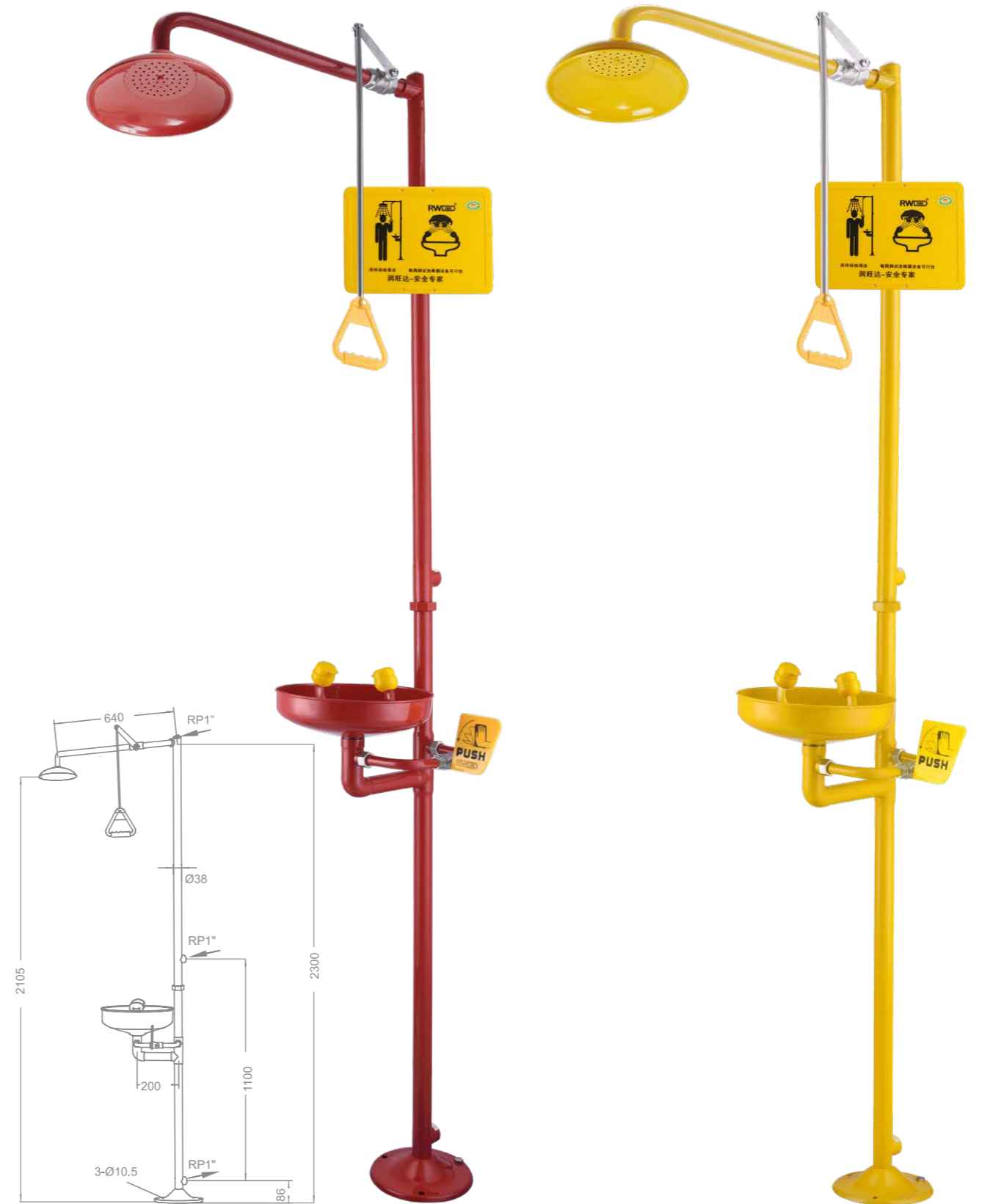
WJH0358A-1

- 采用“由任式”管道连接方式, 能快速的装配和拆卸, 方便安装和日常维护。
 Adopt UNION type pipe connection, can quickly assemble and disassembled, is easy to install and daily maintenance.

COMBINED EMERGENCY SHOWER & EYE WASH

- Material: Stainless Steel 304
- Surface finishing: Fine polish/high brightness antioxidant coating
- Assembling feature: the "Union" allows easier pipe connection and disconnection
- Usage: drenching body and rinsing faces / eyes can be operated separately or simultaneously
- Shower & eye wash switch: two-piece ball valve
- Shower head: spinning-formed with curled rim, diameter 250 mm
- Pipe diameter: 38 mm
- Nominal pressure: 1.0 Mpa
- Working pressure: 0.2~0.4 Mpa
- Testing pressure: 1.5 Mpa
- Temperature requirement on working environment: 0°C~40°C
- Flow rate of body shower: ≥ 76 L/min
- Flow rate of eye/face wash: ≥ 11.4 L/min
- Flow rate of eye wash: ≥ 1.5 L/min
- Eyewash bowl features: 300 mm in diameter, vertical bowl-wall design, allows better water collecting and anti-splashing
- Dust cover: integrated with the spray head (not connected by chain), and easily removed by water flow.
- Spray head feature: patented design, each spray head equips with one water-flow control valve
- Inlet thread: Rp 1", female
- Outlet thread: Rp 1", female
- Inlet height (from above the floor): 1186 mm
- Outlet height (from above the floor): 86 mm
- Distance between spray heads: 170 mm
- Water pattern coverage: at the height of 1520 mm above floor, the water pattern covers a circular area of at least 510 mm in diameter

★ Notes: the inlet part and outlet part are customizable;
 shutoff valve and filter are proposed to be equipped on the water-supply end;
 stainless steel – made foot treadle is optional as eye wash switch.



WJH0358A (红色)

WJH0358A (黄色)

复合式紧急冲淋洗眼器

- 材质: SS304
- 表面处理: 精细抛光 / 高亮度环氧树脂涂层
- 安装特点: 采用“由任式”管道连接方式, 能够快速的装配和拆卸
- 使用功能: 喷淋 + 洗眼 (可同时使用, 也可分开使用)
- 开关球阀: 两片式快开球阀
- 冲淋喷头: 旋压式卷边工艺设计, 直径 250mm
- 管道直径: 38mm
- 公称压力: 1.0Mpa
- 工作压力: 0.2 ~ 0.4Mpa
- 测试压力: 1.5Mpa
- 使用环境温度: 0°C ~ 40°C
- 喷淋水流量: ≥ 76 L/min
- 洗脸 / 洗眼水流量: ≥ 11.4 L/min
- 洗脸盆: 300mm 直边设计, 聚水集中, 防止飞溅
- 防尘盖: 主体一体式设计, 不易丢失
- 洗眼喷头特点: 专利设计, 自带双流量调节阀
- 进水口尺寸: 1" 英制内螺纹
- 排水口尺寸: 1" 英制内螺纹
- 进水口高度: 1186mm
- 排水口高度: 86mm
- 洗眼喷头间距: 170mm
- 出水范围: 距站立面 1520mm 高度, 出水范围直径至少为 510mm

★备注: 进、排水口尺寸可按用户需求定制, 建议进水口设置维修应急阀门和过滤器。
 可添加不锈钢脚踏板, 控制洗眼开关。



WJH0858

- 采用“由任式”管道连接方式, 能快速的装配和拆卸, 方便安装和日常维护。
 Adopt UNION type pipe connection, can quickly assemble and disassembled, is easy to install and daily maintenance.

COMBINED EMERGENCY SHOWER & EYE WASH

- Material: Stainless Steel 304
- Surface finishing: fine-polished / glossy epoxy coated
- Assembling feature: the "Union" allows easier pipe connection and disconnection
- Usage: drenching body and rinsing faces / eyes can be operated separately or simultaneously
- Shower & eye wash switch: two-piece ball valve
- Shower head: spinning-formed with curled rim, diameter 250 mm
- Pipe diameter: 38 mm
- Nominal pressure: 1.0 Mpa
- Working pressure: 0.2~0.4 Mpa
- Testing pressure: 1.5 Mpa
- Temperature requirement on working environment: 0°C~40°C
- Flow rate of body shower: ≥ 76 L/min
- Flow rate of eye/face wash: ≥ 11.4 L/min
- Eyewash bowl features: 300 mm in diameter, vertical bowl-wall design, allows better water collecting and anti-splashing
- Dust cover: integrated with the spray head (not connected by chain), and easily removed by water flow.
- Spray head feature: patented design, each spray head equips with one water-flow control valve
- Inlet thread: Rp 1", female
- Outlet thread: Rp 1", female
- Inlet height (from above the floor): 1186 mm
- Outlet height (from above the floor): 86 mm
- Distance between spray heads: 170 mm
- Water pattern coverage: at the height of 1520 mm above floor, the water pattern covers a circular area of at least 510 mm in diameter

★ Notes: the inlet part and outlet part are customizable;
 shutoff valve and filter are proposed to be equipped on the water-supply end;
 stainless steel - made foot treadle is optional as eye wash switch



WJH0858 (红色)

WJH0858 (黄色)

复合式紧急冲淋洗眼器

- 材质: SS304
- 表面处理: 精细抛光 增强产品耐腐蚀能力
- 安装特点: 采用“由任式”管道连接方式, 能够快速的装配和拆卸
- 使用功能: 喷淋 + 洗眼 (可同时使用, 也可分开使用)
- 开关球阀: 两片式快开球阀
- 冲淋喷头: 旋压式卷边工艺设计, 直径 250mm
- 管道直径: 38mm
- 公称压力: 1.0Mpa
- 工作压力: 0.2 ~ 0.4Mpa
- 测试压力: 1.5Mpa
- 使用环境温度: 0°C ~ 40°C
- 喷淋水流量: $\geq 76\text{L/min}$
- 洗脸 / 洗眼水流量: $\geq 11.4\text{L/min}$
- 洗脸盆: 300mm 直边设计, 聚水集中, 防止飞溅
- 不锈钢防尘盖: 盖体一体式开关设计, 有效隔离粉尘
- 防尘盖: 主体一体式设计, 不易丢失
- 洗眼喷头特点: 专利设计, 自带双流量调节阀
- 进水口尺寸: 1" 英制内螺纹
- 排水口尺寸: 1" 英制内螺纹
- 进水口高度: 1160mm
- 排水口高度: 90mm
- 洗眼喷头间距: 170mm
- 出水范围: 距站立面 1520mm 高度, 出水范围直径至少为 510mm

★备注: 进、排水口尺寸可按用户需求定制, 建议进水口设置维修应急阀门和过滤器。



WJH0958B

复合式紧急冲淋洗眼器

- 材质: SS304
- 表面处理: 拉丝工艺
- 使用功能: 喷淋 + 洗眼 (可同时使用, 也可分开使用)
- 开关球阀: 两片式快开球阀
- 冲淋喷头: 旋压式卷边工艺设计, 直径 250mm
- 管道直径: 38mm
- 公称压力: 1.0Mpa
- 工作压力: 0.2 ~ 0.4Mpa
- 测试压力: 1.5Mpa
- 使用环境温度: 0°C ~ 40°C
- 喷淋水流量: $\geq 76\text{L/min}$
- 洗脸 / 洗眼水流量: $\geq 11.4\text{L/min}$
- 洗脸盆: 300mm 直边设计, 聚水集中, 防止飞溅
- 防尘盖: 主体一体式设计, 不易丢失
- 喷头特点: 专利设计, 自带双流量调节阀
- 进水口尺寸: 1" 英制内螺纹
- 排水口尺寸: 1" 英制内螺纹
- 进水口高度: 1570mm
- 排水口高度: 90mm
- 洗眼喷头间距: 170mm
- 出水范围: 距站立面 1520mm 高度, 出水范围直径至少为 510mm

★备注: 进、排水口尺寸可按用户需求定制, 建议进水口设置维修应急阀门和过滤器。可添加不锈钢脚踏板, 控制洗眼开关。

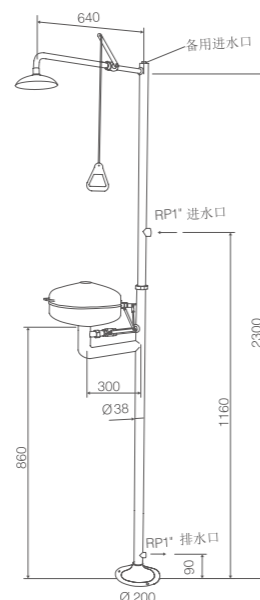


WJH1358

COMBINED EMERGENCY SHOWER & EYE WASH

- Material: Stainless Steel 304
- Surface finishing: fine-polished, which makes the pipe surface performs better on corrosion resistance
- Assembling feature: the "Union" allows easier pipe connection and disconnection
- Usage: drenching body and rinsing faces / eyes can be operated separately or simultaneously
- Shower & eye wash switch: two-piece ball valve
- Shower head: spinning-formed with curled rim, diameter 250 mm
- Pipe diameter: 38 mm
- Nominal pressure: 1.0 Mpa
- Working pressure: 0.2~0.4 Mpa
- Testing pressure: 1.5 Mpa
- Temperature requirement on working environment: 0°C~40°C
- Flow rate of body shower: $\geq 76\text{L/min}$
- Flow rate of eye/face wash: $\geq 11.4\text{L/min}$
- Eyewash bowl features: 300 mm in diameter, vertical bowl-wall design, allows better water collecting and anti-splashing
- Dust cover: integrated with the spray head (not connected by chain), and easily removed by water flow.
- Spray head feature: patented design, each spray head equips with one water-flow control valve
- Inlet thread: Rp 1", female
- Outlet thread: Rp 1", female
- Inlet height (from above the floor): 1160 mm
- Outlet height (from above the floor): 90 mm
- Distance between spray heads: 170 mm
- Water pattern coverage: at the height of 1520 mm above floor, the water pattern covers a circular area of at least 510 mm in diameter

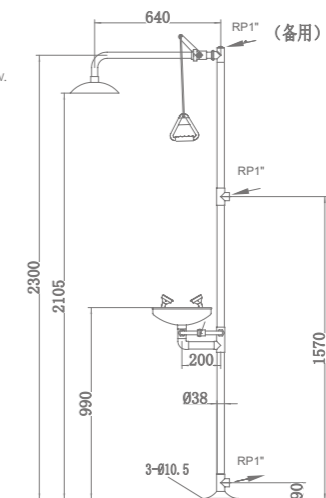
★ Notes: the inlet part and outlet part are customizable; shutoff valve and filter are proposed to be equipped on the water-supply end.



COMBINED EMERGENCY SHOWER & EYE WASH

- Material: Stainless Steel 304
- Surface finishing: sanded
- Usage: drenching body and rinsing faces / eyes can be operated separately or simultaneously
- Shower & eye wash switch: two-piece ball valve
- Shower head: spinning-formed with curled rim, diameter 250 mm
- Pipe diameter: 38 mm
- Nominal pressure: 1.0 Mpa
- Working pressure: 0.2~0.4 Mpa
- Testing pressure: 1.5 Mpa
- Temperature requirement on working environment: 0°C~40°C
- Flow rate of body shower: $\geq 76\text{L/min}$
- Flow rate of eye/face wash: $\geq 11.4\text{L/min}$
- Eyewash bowl features: 300 mm in diameter, vertical bowl-wall design, allows better water collecting and anti-splashing
- Dust cover: integrated with the spray head (not connected by chain), and easily removed by water flow.
- Spray head feature: patented design, each spray head equips with one water-flow control valve
- Inlet thread: Rp 1", female
- Outlet thread: Rp 1", female
- Inlet height (from above the floor): 1570 mm
- Outlet height (from above the floor): 90 mm
- Distance between spray heads: 170 mm
- Water pattern coverage: at the height of 1520 mm above floor, the water pattern covers a circular area of at least 510 mm in diameter

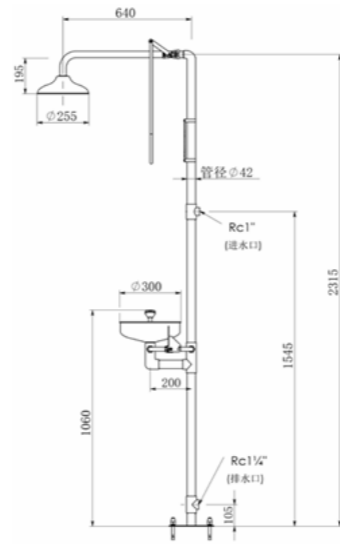
★ Notes: the inlet part and outlet part are customizable; shutoff valve and filter are proposed to be equipped on the water-supply end; stainless steel - made foot treadle is optional as eye wash switch



复合式紧急冲淋洗眼器

- 材质: SS316
- 表面处理: 拉丝工艺
- 使用功能: 喷淋 + 洗眼 (可同时使用, 也可分开使用)
- 开关球阀: 两片式快开球阀
- 冲淋喷头: 旋压式卷边工艺设计, 直径 250mm
- 管道直径: 42mm
- 公称压力: 1.0Mpa
- 工作压力: 0.2 ~ 0.4Mpa
- 测试压力: 1.5Mpa
- 使用环境温度: 0°C ~ 40°C
- 喷淋水流量: $\geq 76\text{L/min}$
- 洗脸 / 洗眼水流量: $\geq 11.4\text{L/min}$
- 洗脸盆: 300mm 直边设计, 聚水集中, 防止飞溅
- 不锈钢防尘盖: 盖体一体式开关设计, 有效隔离粉尘
- 洗眼喷头: 专利设计, 自带双流量调节阀
- 进水口尺寸: 1" 英制内螺纹
- 排水口尺寸: 1-1/4" 英制内螺纹
- 进水口高度: 1540mm
- 排水口高度: 100mm
- 洗眼喷头间距: 170mm
- 出水范围: 距站立面 1520mm 高度, 出水范围直径至少为 510mm

★备注: 进、排水口尺寸可按用户需求定制, 建议进水口设置维修应急阀门和过滤器。

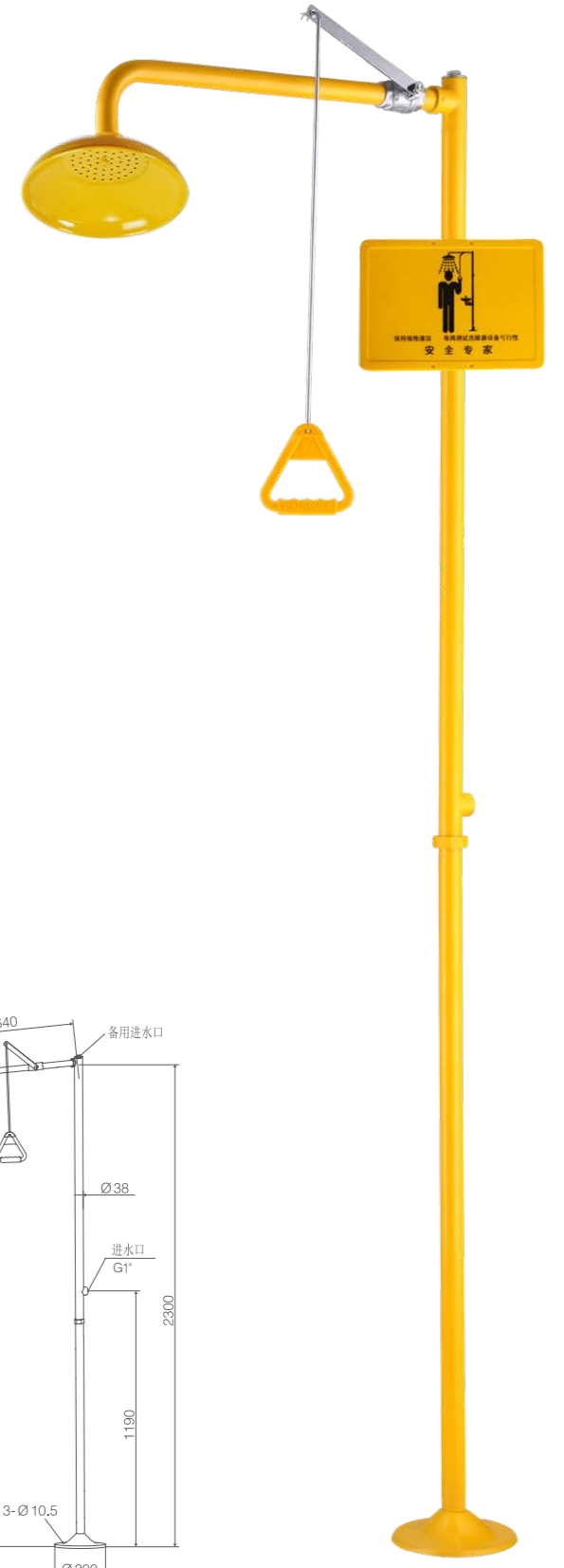


WJH1109

复合式紧急冲淋洗眼器

- 材质: SS304
- 表面处理: 高亮度环氧树脂涂层
- 使用功能: 喷淋 (可选配单口洗眼器)
- 开关球阀: 两片式快开球阀
- 冲淋喷头: 旋压式卷边工艺设计, 直径 250mm
- 管道直径: 38mm
- 公称压力: 1.0Mpa
- 工作压力: 0.2 ~ 0.4Mpa
- 测试压力: 1.5Mpa
- 使用环境温度: 0°C ~ 40°C
- 喷淋水流量: $\geq 76\text{L/min}$
- 进水口尺寸: 1" 英制内螺纹
- 进水口高度: 1190mm
- 出水范围: 距站立面 1520mm 高度, 出水范围直径至少为 510mm

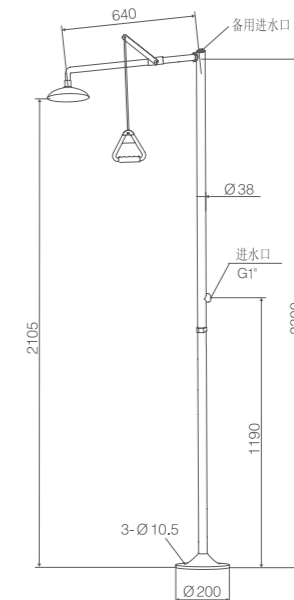
★备注: 进水口尺寸可按用户需求定制, 建议进水口设置维修应急阀门和过滤器。



COMBINED EMERGENCY SHOWER & EYE WASH

- Material: Stainless Steel 304
- Surface finishing: glossy epoxy coated
- Usage: shower (optional hand-held eye wash)
- Shower & eye wash switch: two-piece ball valve
- Shower head: spinning-formed with curled rim, diameter 250 mm
- Pipe diameter: 38 mm
- Nominal pressure: 1.0 Mpa
- Working pressure: 0.2~0.4 Mpa
- Testing pressure: 1.5 Mpa
- Temperature requirement on working environment: 0°C~40°C
- Flow rate of body shower: $\geq 76\text{L/min}$
- Inlet thread: G 1"
- Inlet height (from above the floor): 1190 mm
- Water pattern coverage: at the height of 1520 mm above floor, the water pattern covers a circular area of at least 510 mm in diameter

★ Notes : the inlet parts and outlet parts are customizable; shutoff valve and filter are proposed to be equipped on the water-supply end

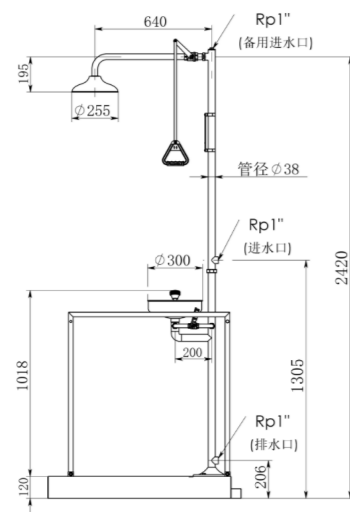


WJH0458C

复合式紧急冲淋洗眼器

- 材质: SS304
- 产品特点: 防护栏、大尺寸集水槽 (可选配喷淋水幕帘)
- 表面处理: 精细抛光 增强产品耐腐蚀能力
- 使用功能: 喷淋 + 洗眼 (可同时使用, 也可分开使用)
- 开关球阀: 两片式快开球阀
- 冲淋喷头: 旋压式卷边工艺设计, 直径 250mm
- 管道直径: 38mm
- 公称压力: 1.0Mpa
- 工作压力: 0.2 ~ 0.4Mpa
- 测试压力: 1.5Mpa
- 使用环境温度: 0°C ~ 40°C
- 喷淋水流量: $\geq 76\text{L/min}$
- 洗脸 / 洗眼水流量: $\geq 11.4\text{L/min}$
- 洗眼盆: 300mm 直边设计, 聚水集中, 防止飞溅
- 防尘盖: 主体一体式设计, 不易丢失
- 洗眼喷头特点: 专利设计, 自带双流量调节阀
- 进水口尺寸: 1" 英制内螺纹
- 排水口尺寸: 1" 英制内螺纹
- 进水口高度: 1305mm
- 排水口高度: 206mm
- 洗眼喷头间距: 170mm
- 集水槽尺寸: 长 × 宽 × 高 = 1000x1000x120mm

- ★备注 1: 进、排水口尺寸可按用户需求定制, 建议进水口设置维修应急阀门和过滤器。
- ★备注 2: 此款产品为定制款, 可依据用户现场环境需求, 定制集水槽尺寸和规格。

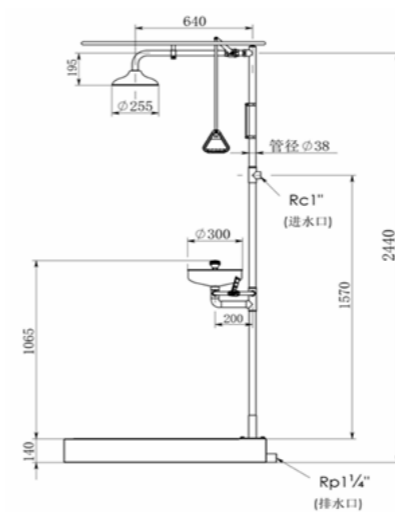


WJH1590

COMBINED EMERGENCY SHOWER & EYE WASH

- Material: Stainless Steel 304
- Product features: equips with foot treadle, guard rail, waste-water collecting sink (optional curtain)
- Surface finishing: fine-polished, which makes the pipe surface performs better on corrosion resistance
- Usage: drenching body and rinsing faces / eyes can be operated separately or simultaneously
- Shower & eye wash switch: two-piece ball valve
- Shower head: spinning-formed with curled rim, diameter 250 mm
- Pipe diameter: 38 mm
- Nominal pressure: 1.0 Mpa
- Working pressure: 0.2~0.4 Mpa
- Temperature requirement on working environment: 0°C~40°C
- Flow rate of body shower: $\geq 76\text{L/min}$
- Flow rate of eye/face wash: $\geq 11.4\text{L/min}$
- Flow rate of eye wash: $\geq 1.5\text{L/min}$
- Eyewash bowl features: 300 mm in diameter, vertical bowl-wall design, allows better water collecting and anti-splashing
- Dust cover feature: integrated with the spray head (not connected by chain)
- Spray head feature: patented design, each spray head equips with one water-flow control valve
- Inlet thread: Rp 1", female
- Outlet thread: Rp 1", female
- Inlet height (from above the floor): 1305 mm
- Outlet height (from above the floor): 206 mm
- Distance between spray heads: 170 mm
- Size of waste-water collecting sink: 1000 mm (length) X 1000 mm (width) X 100 mm (depth)

- ★ Notes: 1. the inlet parts and outlet parts are customizable; shutoff valve and filter are proposed to be equipped on the water-supply end
- 2. the shower, as well as the waste-water collecting sink are customizable



WJH1591

防冻型紧急冲淋洗眼器

- 材质: SS304
- 表面处理: 精细抛光 增强产品耐腐蚀能力
- 安装特点: 采用“由任式”管道连接方式, 能够快速的装配和拆卸
- 使用功能: 喷淋 + 洗眼 + 手动排空
- 适宜地区: 北方低寒地区
- 开关球阀: 两片式快开球阀 + 三片式特制球阀
- 冲淋喷头: 旋压式卷边工艺设计, 直径 250mm
- 管道直径: 38mm
- 洗眼盆: 300mm 直边设计, 聚水集中, 防止飞溅
- 防尘盖: 主体一体式设计, 不易丢失
- 洗眼喷头特点: 专利设计, 自带双流量调节阀
- 进水口尺寸: 1" 英制外螺纹
- 排水口尺寸: 1" 英制内螺纹
- 进水口高度: 810mm
- 排水口高度: 86mm
- 产品特点:

1. 采用新型专利洗眼喷头。洗眼器喷头的出水流量, 由喷头内部的流量调节结构控制, 出厂前已经调试矫正, 若使用现场水源工作压力有所变动, 可以自行调节。
2. 进水总阀为特制三通球阀。进水口打开 (将三通球阀控制把手向下按压低于水平面 45° 开启), 排水口关闭; 向上扳回三通球阀控制把手 (高于水平面 45°), 进水口关闭, 排水口开启, 管路中的积水自动排空。
3. 洗眼器管路设有渗水孔, 以排空洗眼喷头内残留的积水, 利于管路的清洁卫生和防冻 (洗眼时一部分水由此孔排入下水管, 不影响使用效果。)
4. 本洗眼器具有手动排空功能, 具有防冻作用, 适用气温低于 0°C 地区和具有热供水的环境使用。

★备注: 进、排水口尺寸可按用户需求定制, 建议进水口设置维修应急阀门和过滤器。

ANTI-FREEZING EMERGENCY SHOWER & EYE WASH

- Material: SS304
- Surface finishing: fine-polished, which makes the pipe surface performs better on corrosion resistance
- Installation characteristics: the "Union" allows easier pipe connection and disconnection
- Usage: Shower+Eye wash+Manual emptying
- Appropriate area: Low cold areas in the North
- Shower & eye wash switch: specially designed ball valve
- Shower head: spinning-formed with curled rim, diameter 250 mm
- Pipe diameter: 38mm
- Eyewash bowl features: 300 mm in diameter, vertical bowl-wall design, allows better water collecting and anti-splashing
- Dust cover: integrated with the spray head (not connected by chain)
- Spray head feature: patented design, each spray head equips with one water-flow control valve
- Inlet thread: G1", male
- Outlet thread: Rp 1", female
- Inlet height: 810mm
- Outlet height: 86mm
- Product features:

1. Adopt the new patented eye wash spray head. The outlet water flow of the eye wash spray head is controlled by the flow regulation structure inside the spray head, it has been debugged and corrected before leaving the factory. If the water pressure on site changes, it can be adjusted by itself.
2. The main water inlet valve is a special three-way ball valve. Open the water inlet (press the three-way ball valve control handle down to 45° below the level to open), and close the drain port; Turn the three-way ball valve control handle upwards (higher than 45° above the level), the water inlet is closed, the drainage port is opened, and the water in the pipeline is automatically drained.
3. The pipeline is equipped with a water leakage hole to empty the residual water in the eye nozzle, which is conducive to the cleaning and anti-freezing of the pipeline (a part of the water is drained into the sewer pipe during eye washing without affecting the use effect.).
4. The eye wash has the function of manual emptying and anti-freezing. It is suitable for use in areas where the temperature is below 0°C and in environments with hot water supply.

★ Notes: The inlet part and outlet part are customizable; shut off valve and filter are proposed to be equipped on the water-supply end



WJH1005

冷热水洗眼器

- 材质: SS304
- 表面处理: 精细抛光
- 安装特点: 采用“由任式”管道连接方式, 能够快速的装配和拆卸
- 使用功能: 喷淋 + 洗眼 + 冷、热 (混合) 进水
- 适宜地区: 现场有热水源的工作场所
- 开关球阀: 两片式快开球阀 + 特制三通球阀
- 冲淋喷头: 旋压式卷边工艺设计, 直径 250mm
- 管道直径: 38mm
- 洗眼盆: 300mm 直边设计, 聚水集中, 防止飞溅
- 防尘盖: 主体一体式设计, 不易丢失
- 洗眼喷头特点: 专利设计, 自带双流量调节阀
- 冷、热进水口尺寸: 1" 英制内螺纹
- 排水口尺寸: 1" 英制内螺纹
- 冷、热进水口高度: 925mm
- 排水口高度: 90mm
- 洗眼喷头间距: 170mm
- 出水范围: 距立面 1520mm 高度, 出水范围直径至少为 510mm

★备注: 冷、热进水口尺寸可按用户需求定制, 建议进水口设置维修应急阀门和过滤器。

HOT AND COLD WATER EYE WASH

- Material: SS304
- Surface finishing: fine-polished
- Installation characteristics: the "Union" allows easier pipe connection and disconnection
- Usage: Shower+Eye wash+Cold and hot (mixed) water
- Appropriate area: a workplace with hot water on site
- Shower & eye wash switch: specially designed ball valve
- Shower head: spinning-formed with curled rim, diameter 250 mm
- Pipe diameter: 38mm
- Eyewash bowl features: 300 mm in diameter, vertical bowl-wall design, allows better water collecting and anti-splashing
- Dust cover: integrated with the spray head (not connected by chain)
- Spray head feature: patented design, each spray head equips with one water-flow control valve
- Inlet thread: Rp 1", female
- Outlet thread: Rp 1", female
- Inlet height: 925mm
- Outlet height: 90mm
- Distance between spray heads: 170 mm
- Water pattern coverage: at the height of 1520 mm above floor, the water pattern covers a circular area of at least 510 mm in diameter

★ Notes: The inlet part and outlet part are customizable; shut off valve and filter are proposed to be equipped on the water-supply end



恒温定制款

防冻型紧急冲淋洗眼器

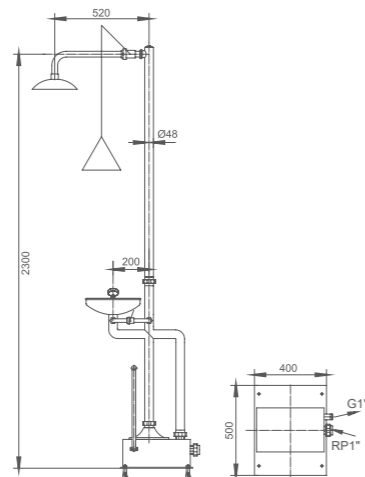
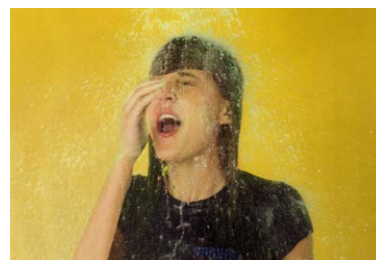
- 材质: SS304
- 表面处理: 精细抛光 + 高亮度环氧树脂涂层
- 安装特点: 采用“由任式”管道连接方式, 能够快速的装配和拆卸
- 使用功能: 喷淋 + 洗眼 + 手动排空
- 适宜地区: 北方低寒地区
- 开关球阀: 两片式快开球阀 + 特制三通球阀
- 冲淋喷头: 旋压式卷边工艺设计, 直径 250mm
- 管道直径: 48mm
- 洗眼盆: 300mm 直边设计, 聚水集中, 防止飞溅
- 防尘盖: 主体一体式设计, 不易丢失
- 洗眼喷头特点: 专利设计, 自带双流量调节阀
- 进水口尺寸: 1" 英制内螺纹
- 排水口尺寸: 1" 英制外螺纹
- 进水口高度: 110mm
- 排水口高度: 50mm
- 洗眼喷头间距: 170mm
- 出水范围: 距站立面 1520mm 高度, 出水范围直径至少为 510mm

★备注: 进、排水口尺寸可按用户需求定制, 建议进水口设置维修应急阀门和过滤器。

ANTI-FREEZING EMERGENCY SHOWER & EYE WASH

- Material: SS304
- Surface finishing: fine-polished, glossy epoxy coated
- Features: the "Union" allows easier pipe connection and disconnection
- Usage: Shower+Eyewash+Manual emptying
- Appropriate area: Low cold areas in the North
- Shower & eye wash switch: specially designed ball valve
- Shower head: spinning-formed with curled rim, diameter 250 mm
- Pipe diameter: 48mm
- Eyewash bowl features: 300 mm in diameter, vertical bowl-wall design, allows better water collecting and anti-splashing
- Dust cover: integrated with the spray head (not connected by chain)
- Spray head feature: patented design, each spray head equips with one water-flow control valve
- Inlet thread: Rp 1", female
- Outlet thread: G 1", male
- Inlet height: 110mm
- Outlet height: 50mm
- Distance between spray head: 170mm
- Water pattern coverage: at the height of 1520 mm above floor, the water pattern must be at least 510 mm in diameter

★ Note: the inlet part and outlet part are customizable; shut off valve and filter are proposed to be equipped on the water-supply end



WJH0458A

防冻型紧急冲淋洗眼器

- 材质: SS304
- 表面处理: 精细抛光 + 高亮度环氧树脂涂层
- 安装特点: 采用“由任式”管道连接方式, 能够快速的装配和拆卸
- 使用功能: 冲淋 + 洗眼 + 脚踏自动排空
- 适宜地区: 北方低寒地区
- 开关球阀: 两片式快开球阀 + 特制三通球阀
- 冲淋喷头: 旋压式卷边工艺设计, 直径 250mm
- 管道直径: 48mm
- 洗眼盆: 300mm 直边设计, 聚水集中, 防止飞溅
- 防尘盖: 主体一体式设计, 不易丢失
- 洗眼喷头特点: 专利设计, 自带双流量调节阀
- 进水口尺寸: 1" 英制内螺纹
- 排水口尺寸: 1" 英制外螺纹
- 进水口高度: 110mm
- 排水口高度: 50mm
- 洗眼喷头间距: 170mm

★备注 1: 进、排水口尺寸可按用户需求定制, 建议进水口设置维修应急阀门和过滤器。

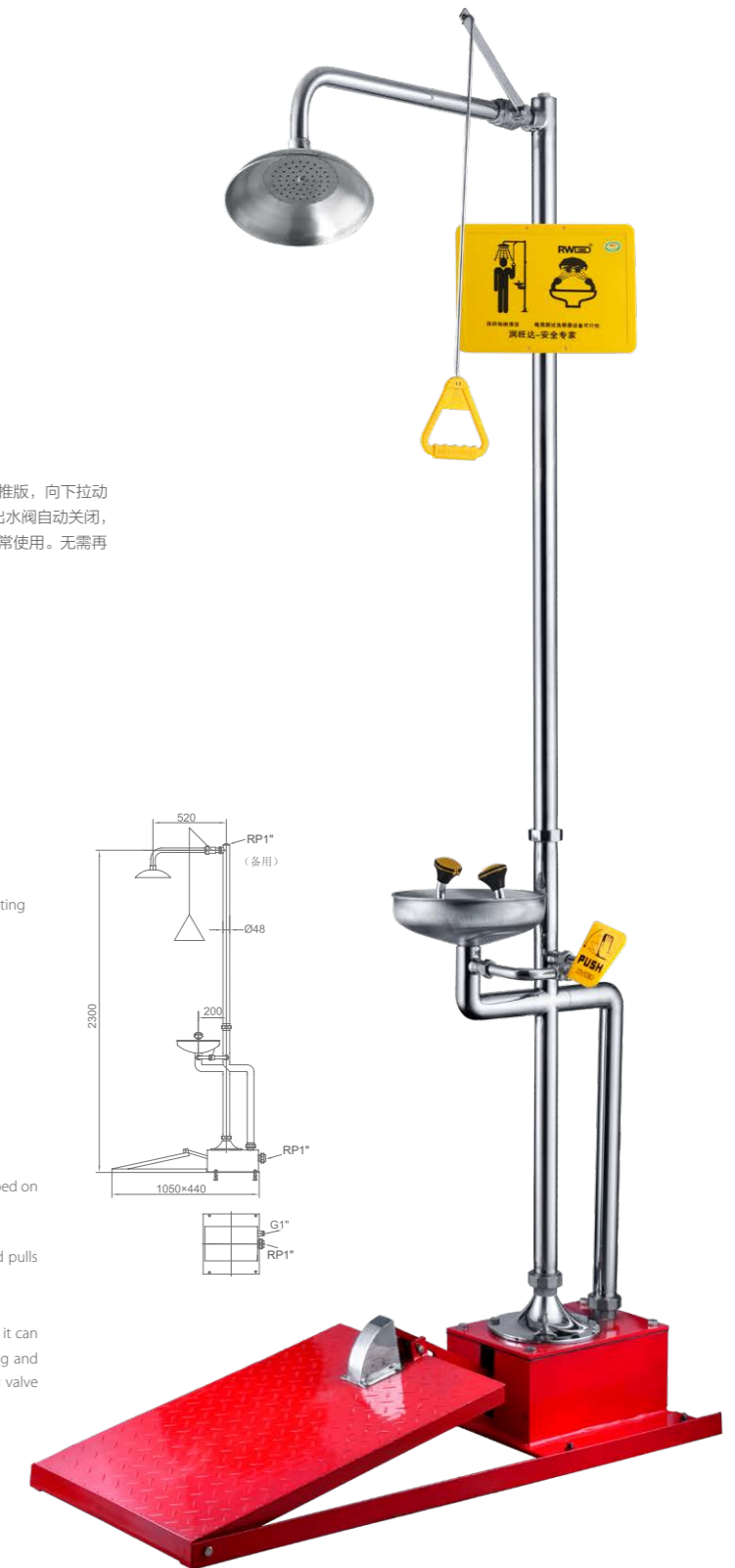
★备注 2: 本洗眼器为全自动排空洗眼器, 操作方法: ①人站在洗眼器脚踏板上, 推开手推板, 向下拉动拉杆 90°, 洗眼器自动出水。②使用完毕, 手推板、防尘盖和拉杆复位。③人离开脚踏板, 出水阀自动关闭, 同时可以直接排空整个洗眼系统管路里面的积水, 防止结冰, 保障洗眼器在结冰天气的正常使用。无需再做二次排空阀门的动作, 方便快捷。

ANTI-FREEZING EMERGENCY SHOWER & EYE WASH

- Material: SS304
- Surface finishing: glossy epoxy coated
- Features: the "Union" allows easier pipe connection and disconnection
- Usage: Shower+Eyewash+Foot automatically emptying
- Appropriate area: Low cold areas in the North
- Shower & eye wash switch: specially designed ball valve
- Shower head: spinning-formed with curled rim, diameter 250 mm
- Pipe diameter: 48mm
- Eyewash bowl features: 300 mm in diameter, vertical bowl-wall design, allows better water collecting and anti-splashing
- Dust cover: integrated with the spray head (not connected by chain)
- Spray head feature: patented design, each spray head equips with one water-flow control valve
- Inlet thread: Rp 1", female
- Outlet thread: G 1", male
- Inlet height: 110mm
- Outlet height: 50mm
- Distance between spray head: 170mm

★ Notes:

1. The inlet part and outlet part are customizable; shut off valve and filter are proposed to be equipped on the water-supply end;
2. This eye wash is an automatic emptying e, method of operation:
 - ① The person stands on the foot pedal of the eye wash, pushes away the hand push board, and pulls the lever downward 90°, the eye wash automatically gives water.
 - ② After use, hand push board, dust cover and pull rod are reset.
 - ③ When the person leaves the foot pedal, the outlet valve closes automatically, at the same time it can directly empty the accumulated water in the entire eyewash system pipeline to prevent freezing and ensure the normal use of the eyewash in freezing weather. No need to do the second emptying valve action, convenient and fast.



WJH0458 (可加防尘盖)

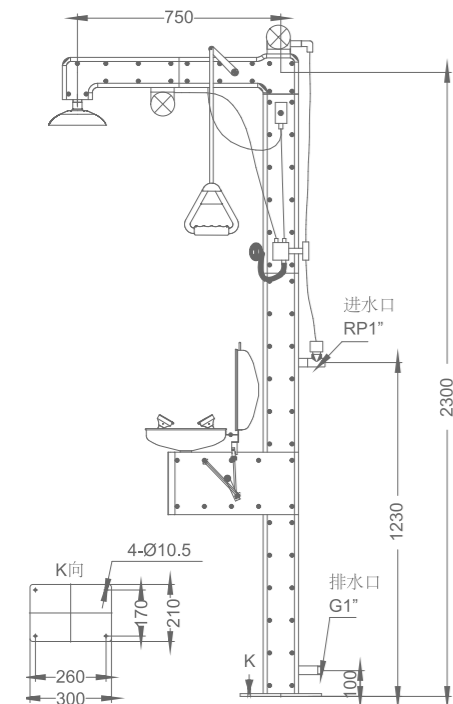
电伴热复合式冲淋洗眼器

- 内材质: SS304
- 外材质: ABS 可拆卸外壳
- 安装特点: 具有保温防冻作用, 配有自限温电伴热带及温控系统
- 使用功能: 喷淋 + 洗眼 (可同时使用, 也可分开使用)
- 防爆等级: Ex db II BT4 / Ex db II BT6 / Ex db II CT4 / Ex db II CT6 (可根据客户要求定制)
- 防护等级: IP65 / IP66 (可定制)
- 开关球阀: 常规两片式球阀 (三片式球阀可定制)
- 洗眼盆: 300mm 直边设计, 聚水集中
- 公称压力: 1.0Mpa
- 工作压力: 0.2 ~ 0.4Mpa
- 测试压力: 1.5Mpa
- 喷淋水流量: $\geq 76\text{L}/\text{MIN}$
- 洗脸 / 洗眼水流量: $\geq 11.4\text{L}/\text{MIN}$
- 进水口尺寸: 1" 英制内螺纹 / 1" 英制外螺纹
- 排水口尺寸: 1" 英制外螺纹
- 进水口高度: 1230mm
- 排水口高度: 100mm

- ★备注: 建议进、排水口设置维修应急阀门和过滤器, 可根据现场使用环境定制防爆防护等级
- ★选配: 声光报警器, 防爆照明灯, 脚踏装置

产品特点

1. 电伴热复合式冲淋洗眼器, 专为北方寒冷天气而设计。
2. 一旦有使用者开动洗眼器, 则声光报警将会启动工作, 不仅可以告知其他人此处有人在操作, 同时也达到请求援助的目的。
3. 使用过的水将由面盆的内漏水管直接排走, 不污染使用空间, 简单方便。



WJH0658 (机械款)

ELECTRICAL HEAT TRACING COMBINATION SHOWER & EYE WASH

- Internal Material: SS304
- External Material: ABS Removable Shell
- Installation characteristic: With heat preservation and anti-freezing function, equipped with constant thermostatic heating cable and temperature control system
- Usage: drenching body and rinsing faces / eyes can be operated separately or simultaneously
- Explosive-proof grade: Ex db II BT4 / Ex db II BT6 / Ex db II CT4 / Ex db II CT6 (Customizable)
- Protection grade: IP65 / IP66 (Customizable)
- Shower & eye wash switch: specially designed ball valve
- Eyewash bowl features: 300 mm in diameter, vertical bowl-wall design, allows better water collecting and anti-splashing
- Nominal pressure: 1.0Mpa
- Working pressure: 0.2-0.4 Mpa
- Testing pressure: 1.5 Mpa
- Flow rate of body shower: $\geq 76\text{L}/\text{min}$
- Flow rate of eye/face wash: $\geq 11.4\text{L}/\text{min}$
- Inlet thread: Rp 1", female
- Outlet thread: G 1", male
- Inlet height: 1230mm
- Outlet height: 100mm

- ★ Notes: The inlet part and outlet part are customizable; shut off valve and filter are proposed to be equipped on the water-supply end. Explosion-proof protection grade can be customized according to the site environment
- ★ Optional: Sound and light alarm, explosion-proof lamp, pedal device, dust proof device

Product Feature:

1. Electrical heat tracing combination shower & eye wash, specially designed for cold weather in northern. The inlet is equipped with a flow alarm valve.
2. Once a user operate the eye wash, the audible and visual alarm will start to work, not only to inform others that someone is operating here, but also to request assistance.
3. The used water will be drained directly from the inner leaking pipe of the bowl, which will not pollute the use space and is simple and convenient.



WJH0658 (数显款)

电伴热复合式冲淋洗眼器

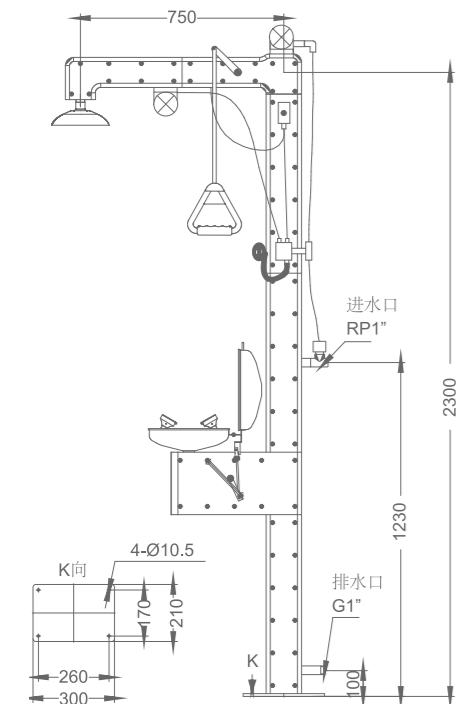
- 内材质: SS304
- 外材质: ABS 可拆卸外壳 / 304 不锈钢外壳
- 安装特点: 具有保温防冻作用, 配有自限温电热带及温控系统
- 使用功能: 喷淋 + 洗眼 (可同时使用, 也可分开使用)
- 防爆等级: Ex db II BT4 / Ex db II BT6 / Ex db II CT4 / Ex db II CT6 (可根据客户要求定制)
- 防护等级: IP65 / IP66 (可定制)
- 开关球阀: 常规两片式球阀 (三片式球阀可定制)
- 洗眼盆: 300mm 直边设计, 聚水集中
- 公称压力: 1.0Mpa
- 工作压力: 0.2 ~ 0.4Mpa
- 测试压力: 1.5Mpa
- 喷淋水流量: $\geq 76\text{L}/\text{MIN}$
- 洗脸 / 洗眼水流量: $\geq 11.4\text{L}/\text{MIN}$
- 进水口尺寸: 1" 英制内螺纹
- 排水口尺寸: 1" 英制外螺纹
- 进水口高度: 1230mm
- 排水口高度: 100mm

★备注: 建议进、排水口设置维修应急阀门和过滤器, 可根据现场使用环境定制防爆防护等级

★选配: 声光报警器, 防爆照明灯, 脚踏装置, 防尘装置

★产品特色

1. 电伴热复合式冲淋洗眼器, 专为北方寒冷天气而设计。进水口处装有流量报警阀。
2. 一旦有使用者开动洗眼器, 则声光报警将会启动工作, 不仅可以告知其他人此处在操作, 同时也达到请求援助的目的。
3. 使用过的水将由面盆的内漏水管直接排走, 不污染使用空间, 简单方便。



WJH0658-Q

ELECTRICAL HEAT TRACING COMBINATION SHOWER & EYE WASH

- Internal Material: SS304
- External Material: ABS Detachable Shell / 304 Stainless Steel Shell
- Installation characteristic: With heat preservation and anti-freezing function, equipped with constant thermostatic heating cable and temperature control system
- Usage: drenching body and rinsing faces / eyes can be operated separately or simultaneously
- Explosive-proof grade: Ex db II BT4 / Ex db II BT6 / Ex db II CT4 / Ex db II CT6 (Customizable)
- Protection grade: IP65 / IP66 (Customizable)
- Shower & eye wash switch: specially designed ball valve
- Eyewash bowl features: 300 mm in diameter, vertical bowl-wall design, allows better water collecting and anti-splashing
- Nominal pressure: 1.0Mpa
- Working pressure: 0.2-0.4 Mpa
- Testing pressure: 1.5 Mpa
- Flow rate of body shower: $\geq 76\text{L}/\text{min}$
- Flow rate of eye/face wash: $\geq 11.4\text{L}/\text{min}$
- Inlet thread: Rp 1", female
- Outlet thread: G 1", male
- Inlet height: 1230mm
- Outlet height: 100mm
- Water temperature of pipeline: 15°C ~ 30°C

★ Notes: The inlet part and outlet part are customizable; shut off valve and filter are proposed to be equipped on the water-supply end.

★ Optional: Sound and light alarm, explosion-proof lamp, pedal device, dust proof device

★ Product Feature:

1. Electrical heat tracing combination shower & eye wash, specially designed for cold weather in northern. The inlet is equipped with a flow alarm valve.
2. Once a user operate the eye wash, the audible and visual alarm will start to work, not only to inform others that someone is operating here, but also to request assistance.
3. The used water will be drained directly from the inner leaking pipe of the bowl, which will not pollute the use space and is simple and convenient.



WJH0658-S

电加热复合式紧急冲淋洗眼器

- 内材质: SS304
- 外材质: ABS 可拆卸外壳
- 安装特点: 具有保温防冻作用, 配有自限温电伴热带及温控系统
- 使用功能: 喷淋 + 洗眼 (可同时使用, 也可分开使用)
- 防爆等级: Ex db II BT4 / Ex db II BT6 / Ex db II CT4 / Ex db II CT6 (可根据客户要求定制)
- 防护等级: IP65 / IP66 (可定制)
- 开关球阀: 常规两片式球阀 (三片式球阀可定制)
- 洗眼盆: 300mm 直边设计, 聚水集中
- 公称压力: 1.0Mpa
- 工作压力: 0.2 ~ 0.4Mpa
- 测试压力: 1.5Mpa
- 喷淋水流量: $\geq 76\text{L}/\text{MIN}$
- 洗脸 / 洗眼水流量: $\geq 11.4\text{L}/\text{MIN}$
- 进水口尺寸: 1-1/4" 法兰
- 排水口尺寸: 1" 法兰
- 进水口高度: 170mm
- 排水口高度: 100mm

★产品特色:

- ①本品适用于 0°C 以下环境地区使用。当水温低于 0°C 时, 洗眼器管身将自动开启加热功能, 解除因温度过低无法使用或因此而造成的损坏的可能。
- ②进水口处装有流量报警阀, 在产品顶部配有防爆型声光报警器。一旦有使用者开动洗眼器, 则声光报警器就会启动工作, 不仅可以告知其他人此处有人在操作, 同时也达到请求援助的目的。
- ③在洗眼器喷头端口处加装了防爆智能照明装置, 采用光控开关装置, 在有效的节约了电能的情况下, 方便受伤者在夜间使用。
- ④本品配有聚氨酯保温隔热材料进行保温防护, 避免了因外界环境温度的变化而影响了洗眼器管道水温变化, 更有效的保证了受伤者得到适宜的洗眼水温。
- ⑤洗眼器水源采用集中防爆加热系统集中放热, 防爆加热系统具有防干烧、防漏电 (漏电时自动切断电源) 和可靠温控功能, 能有效的瞬时提高洗眼器水温 15°C 且不高于 38°C。
- ⑥洗眼器具有自动排空装置, 洗眼系统内积水能在 15 秒全部排空, 更有效的提高了洗眼系统的防冻功能已确保洗眼用水洁净卫生。

★备注: 进、排水口尺寸可按用户需求定制, 建议进水口设置维修应急阀门和过滤器。

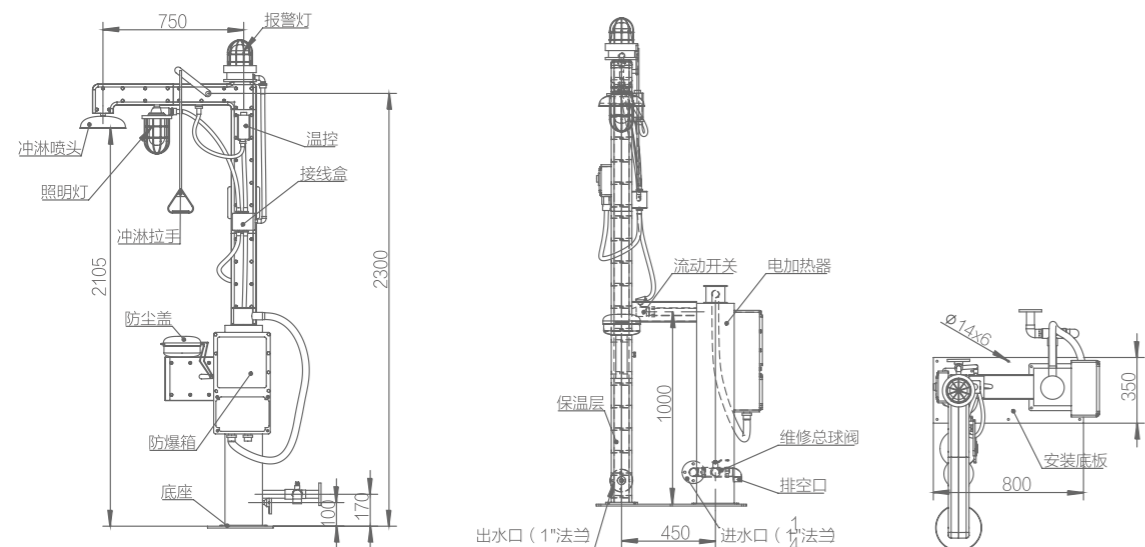
ELECTRICAL HEAT TRACING COMBINATION SHOWER & EYE WASH

- Internal Material: SS304
- External Material: ABS Detachable Shell
- Installation characteristic: With heat preservation and anti-freezing function, equipped with constant thermostatic heating cable and temperature control system
- Usage: drenching body and rinsing faces / eyes can be operated separately or simultaneously
- Explosive-proof grade: Ex db II BT4 / Ex db II BT6 / Ex db II CT4 / Ex db II CT6 (Customizable)
- Protection grade: IP65 / IP66 (Customizable)
- Shower & eye wash switch: two-piece ball valve
- Eyewash bowl features: 300 mm in diameter, vertical bowl-wall design, allows better water collecting and anti-splashing
- Nominal pressure: 1.0Mpa
- Working pressure: 0.2-0.4 Mpa
- Testing pressure: 1.5 Mpa
- Flow rate of body shower: $\geq 76\text{L}/\text{min}$
- Flow rate of eye/face wash: $\geq 11.4\text{L}/\text{min}$
- Inlet thread: DN32
- Outlet thread: DN25
- Inlet height: 170mm
- Outlet height: 100mm

★ Product Feature:

- ① This product is suitable for use in areas that the temperature below 0°C. When the water temperature is lower than 0°C, the tube body of the eye wash will automatically turn on the heating function to remove the possibility that the temperature is too low to use or the damage.
- ② The water inlet is equipped with a flow alarm valve and an explosion-proof audible and visual alarm is equipped at the top of the product.
- ③ An explosion-proof intelligent lighting device is installed at the nozzle end of the eye wash and use light control switch device, in the case of effectively saving electricity, it is convenient for the injured to use at night.
- ④ This product is equipped with polyurethane thermal insulation material for thermal protection, to avoid the influence of external ambient temperature changes on the water temperature of the eyewash pipe, more effective to ensure that the injured get appropriate water to wash their eyes.
- ⑤ The water source of the eye wash uses a centralized explosion-proof heating system to radiate heat, the explosion-proof heating system has anti-dry burning, anti-leakage (automatically cut off the power when leakage) and reliable temperature control function, it can effectively increase the water temperature of eyewash 15°C and not higher than 38°C instantly.
- ⑥ The eye wash with automatic emptying device, the water in the eye wash system can be emptied in 15 seconds, more effectively improve the anti-freeze function of the eye washing system to ensure the clean water sanitation.

★ Notes: The inlet part and outlet part are customizable; shut off valve and filter are proposed to be equipped on the water-supply end.



WJH0658-1

紧急冲淋洗眼房

- 材质: 板材、框架 SS304
- 使用功能: 喷淋 + 洗眼 (可同时使用, 也可分开使用)
- 安装特点: 双层加厚不锈钢板, 内置 5cm 厚玻璃棉
- 玻璃棉特点: 耐火、阻燃、保温, 隔热御寒
- 观察窗: 采用双层钢化玻璃, 尺寸 50cmx50cm, 已做抽真空处理。
- 洗眼房尺寸: 长 × 宽 × 高 = 110cmx110cmx240cm
- 开关球阀: 两片式快开球阀
- 洗眼盆: 300mm 直边设计, 聚水集中, 防止飞溅。
- 公称压力: 1.0Mpa
- 工作压力: 0.2 ~ 0.4Mpa
- 测试压力: 1.5Mpa
- 喷淋水流量: ≥ 76 L/min
- 洗眼 / 洗脸水流量: ≥ 11.4 L/min
- 进水口尺寸: 1" 英制内螺纹
- 排水口尺寸: 1-1/4" 英制外螺纹
- 防尘盖: 主体一体式设计, 不易丢失
- 洗眼喷头特点: 专利设计, 自带双流量调节阀
- 适用场所: 广泛应用于无尘车间、石油、化工、医药、消防、电力和港口等场所。
- ★ 产品特点: ①洗眼房内设集水槽。②洗眼器管路设有渗水孔, 以排空洗眼喷头内残留的积水, 利于管路的清洁卫生和防冻 (洗眼时一部分水由此孔排入下水管, 不影响使用效果)。③喷淋房进、排水孔安装位预留空隙, 用于电伴热带的缠绕安装, 实现管线的保温, 可满足严寒地区使用

★ 备注: 洗眼房尺寸规格可按现场需求定制。进、排水口尺寸可按用户需求定制, 建议进水口设置维修应急阀门和过滤器。

EMERGENCY SHOWER & EYE WASH ROOM

- Main material: SS304
- Usage: drenching body and rinsing faces / eyes can be operated separately or simultaneously
- Installation features: double thick stainless steel plate, built-in 5cm thick glass wool
- Glass wool characteristics: fire resistance, flame retardant, heat preservation, heat insulation and cold protection
- Inspection window: Double-layer tempered glass, size 50cmx50cm, the space between the window glass layers is vacuumized
- Eye wash room size: L × W × H = 110cmx110cmx240cm
- Shower & eye wash switch: two-piece ball valve
- Eye wash bowl features: 300 mm in diameter, vertical bowl-wall design, allows better water collecting and anti-splashing
- Nominal pressure: 1.0Mpa
- Working pressure: 0.2~0.4Mpa
- Testing pressure: 1.5Mpa
- Flow rate of body shower: ≥76 L/min
- Flow rate of eye/face wash: ≥11.4 L/min
- Inlet thread: Rp 1", female
- Outlet thread: G 1-1/4", male
- Dust cover: integrated with the spray head
- Spray head feature: patented design, each spray head equips with one water-flow control valve
- Applicable places: Widely used in dust-free workshops, petroleum, chemical, pharmaceutical, fire protection, power and port and other places.
- Product features:
 - ① There is a waste-water collection sink in the eye wash room.
 - ② The eye wash pipeline is provided with a seepage hole to empty the residual water in the eye wash, which is conducive to the cleaning and anti-freezing of the pipeline (part of the water is discharged into the downpipe through the hole during the eye wash without affecting the effect of use).
 - ③ The installation position of the inlet and outlet holes of the shower room has reserved the gap, which is used for the winding installation of the electric tracing tropics, to realize the heat preservation of the pipelines, which can be used in the cold region

★ Notes: the size and specification of eye wash room can be customized according to the requirements of the site; the inlet part and outlet part are customizable; shutoff valve and filter are proposed to be equipped on the water-supply end



WJH0786-1

新品
NEW

紧急冲淋洗眼房

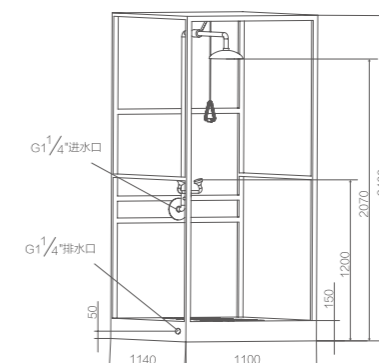
- 材质: 板材、框架 SS304
- 使用功能: 喷淋 + 洗眼 (可同时使用, 也可分开使用)
- 洗眼房尺寸: 长 × 宽 × 高 = 110cmx114cmx240cm
- 开关球阀: 两片式快开球阀
- 洗眼盆: 300mm 直边设计, 聚水集中, 防止飞溅。
- 进水口尺寸: 1-1/4" 英制外螺纹
- 排水口尺寸: 1-1/4" 英制外螺纹
- 防尘盖: 主体一体式设计, 不易丢失
- 洗眼喷头特点: 专利设计, 自带双流量调节阀
- ★ 备注: 洗眼房尺寸规格可按现场需求定制。进、排水口尺寸可按用户需求定制, 建议进水口设置维修应急阀门和过滤器。



WJH0786A

EMERGENCY SHOWER & EYE WASH ROOM

- Main material: SS304
- Usage: drenching body and rinsing faces / eyes can be operated separately or simultaneously
- Eye wash room size: L × W × H = 110cmx114cmx240cm
- Shower & eye wash switch: two-piece ball valve
- Eye wash bowl features: 300 mm in diameter, vertical bowl-wall design, allows better water collecting and anti-splashing
- Inlet thread: G1-1/4", male
- Outlet thread: G1-1/4", male
- Dust cover: integrated with the spray head
- Spray head feature: patented design, each spray head equips with one water-flow control valve
- ★ Notes: the size and specification of eye wash room can be customized according to the requirements of the site; the inlet part and outlet part are customizable; shutoff valve and filter are proposed to be equipped on the water-supply end



WJH0786

紧急冲淋洗眼房

- 材质：房体 PE、喷淋洗眼设备 SS304
 - 使用功能：喷淋 + 洗眼（可同时使用，也可分开使用）
 - 洗眼房尺寸：长 × 宽 × 高 = 115cm × 130cm × 240cm
 - 开关球阀：两片式快开球阀
 - 洗眼盆：300mm 直边设计，聚水集中，防止飞溅
 - 公称压力：1.0Mpa
 - 工作压力：0.2 ~ 0.4Mpa
 - 测试压力：1.5Mpa
 - 喷淋水流量：≥ 76 L/min
 - 洗眼 / 洗脸水流量：≥ 11.4 L/min
 - 进水口尺寸：1" 英制外螺纹
 - 防尘盖：主体一体式设计，不易丢失
 - 洗眼喷头特点：专利设计，自带双流量调节阀
 - 适用场所：广泛应用于无尘车间、石油、化工、医药、消防、电力和港口等场所
- ★备注：进水口尺寸可按用户需求定制，建议进水口设置维修应急阀门和过滤器

EMERGENCY SHOWER & EYE WASH ROOM

- Material: Room PE, spraying eye washing equipment SS304
 - Usage: drenching body and rinsing faces / eyes can be operated separately or simultaneously
 - Eye wash room size: L × W × H = 115cm × 130cm × 240cm
 - Shower & eye wash switch: two-piece ball valve
 - Eye wash bowl features: 300 mm in diameter, vertical bowl-wall design, allows better water collecting and anti-splashing
 - Nominal pressure: 1.0Mpa
 - Working pressure: 0.2~0.4Mpa
 - Testing pressure: 1.5Mpa
 - Flow rate of body shower: ≥76 L/min
 - Flow rate of eye/face wash: ≥11.4 L/min
 - Inlet thread: G 1", male
 - Dust cover: integrated with the spray head
 - Spray head feature: patented design, each spray head equips with one water-flow control valve
 - Applicable places: Widely used in dust-free workshops, petroleum, chemical, pharmaceutical, fire protection, power and port and other places.
- ★ Notes: the inlet part and outlet part are customizable; shutoff valve and filter are proposed to be equipped on the water-supply end



WJH3501

紧急冲淋洗眼房

- 材质：板材、框架 SS304
 - 使用功能：喷淋 + 洗眼（可同时使用，也可分开使用）
 - 观察窗：双开门式可视玻璃窗
 - 洗眼房尺寸：长 × 宽 × 高 = 110cm × 110cm × 295cm
 - 开关球阀：两片式快开球阀
 - 洗眼盆：300mm 直边设计，聚水集中，防止飞溅。
 - 进水口尺寸：1" 英制内螺纹
 - 排水口尺寸：1-1/4" 英制外螺纹
 - 防尘盖：主体一体式设计，不易丢失
 - 洗眼喷头特点：专利设计，自带双流量调节阀
 - 适用场所：广泛应用于无尘车间、石油、化工、医药、消防、电力和港口等场所。
- 产品特色：①洗眼房内设集水槽。②洗眼器管路设有渗水孔，以排空洗眼喷头内残留的积水，利于管路的清洁卫生和防冻（洗眼时一部分水由此孔排入下水管，不影响使用效果）。③冲淋房进、排水孔安装位已预留空隙，用于电伴热带的缠绕安装，实现管线的保温，可满足严寒地区使用。④本产品顶部配有吊环，方便起吊。⑤可单独于墙壁指定角落。本产品自带万向轮，可根据现场需要随意移动，使用方便。

- ★备注：洗眼房尺寸规格可按现场需求定制。进、排水口尺寸可按用户需求定制，建议进水口设置维修应急阀门和过滤器。

EMERGENCY SHOWER & EYE WASH ROOM

- Main material: SS304
 - Usage: drenching body and rinsing faces / eyes can be operated separately or simultaneously
 - Inspection window: double door type visible glass window
 - Eye wash room size: L × W × H = 110cm × 110cm × 295cm
 - Shower & eye wash switch: two-piece ball valve
 - Eye wash bowl features: 300 mm in diameter, vertical bowl-wall design, allows better water collecting and anti-splashing
 - Inlet thread: Rp 1", female
 - Outlet thread: G 1-1/4", male
 - Dust cover: integrated with the spray head
 - Spray head feature: patented design, each spray head equips with one water-flow control valve
 - Applicable places: Widely used in dust-free workshops, petroleum, chemical, pharmaceutical, fire protection, power and port and other places.
- Product features:
- ① There is a waste-water collection sink in the eye wash room.
 - ② The eye wash pipeline is provided with a seepage hole to empty the residual water in the eye wash, which is conducive to the cleaning and anti-freezing of the pipeline (part of the water is discharged into the downpipe through the hole during the eye wash without affecting the effect of use).
 - ③ The installation position of the inlet and outlet holes of the shower room has reserved the gap, which is used for the winding installation of the electric tracing tropics, to realize the heat preservation of the pipelines, which can be used in the cold region.
 - ④ The top of the product is equipped with a lifting ring for easy lifting.
 - ⑤ Can be alone in the wall designated corners. The product comes with universal wheel, which can be moved freely according to the needs of the site, convenient to use.
- ★ Notes: the size and specification of eye wash room can be customized according to the requirements of the site; the inlet part and outlet part are customizable; shutoff valve and filter are proposed to be equipped on the water-supply end



WJH1486-1

立式紧急洗眼器

- 材质: SS304
- 表面处理: 高亮度环氧树脂涂层
- 使用功能: 眼面部冲洗
- 开关球阀: 两片式快开球阀
- 管道直径: 38mm
- 公称压力: 1.0Mpa
- 工作压力: 0.2 ~ 0.4Mpa
- 测试压力: 1.5Mpa
- 使用环境温度: 0 ~ 40℃
- 洗眼 / 洗脸水流量: ≥ 11.4 L/min
- 洗眼盆: 300mm 直边设计, 聚水集中, 防止飞溅
- 防尘盖: 主体一体式设计, 不易丢失
- 进水口尺寸: 1/2" 英制外螺纹
- 排水口尺寸: 1" 英制内螺纹
- 进水口高度: 753mm
- 排水口高度: 86mm

★ 产品特点: 洗眼洗面停止使用后, 管道内积水自动排空, 达到防冻的目的。

★ 备注: 进、排水口尺寸可按用户需求定制, 建议进水口设置维修应急阀门和过滤器。

FLOOR-MOUNT EMERGENCY EYE WASH

- Materials: SS304
- Surface finishing: glossy epoxy coated
- Function: eye and face washing
- Eye wash switch: two-piece ball valve
- Pipe diameter: 38mm
- Nominal pressure: 1.0Mpa
- Working pressure: 0.2~0.4Mpa
- Test pressure: 1.5Mpa
- Working environment temperature: 0°C~40°C
- Eye wash/face wash water flow: ≥11.4 L/min
- Eye wash bowl: 300mm straight edge design, gather water, prevent splash
- Dust cover: integrated design of main body, not easy to lose
- Inner size: G 1/2", male
- Outlet size: Rp 1", female
- Inlet height: 753mm
- Outlet height: 86mm
- Product features: After the use of eye wash and face wash is stopped, the water in the pipeline will be drained automatically to achieve the purpose of anti-freezing.

★ Notes: The inlet part and outlet part are customizable; shut off valve and filter are proposed to be equipped on the water-supply end.



WJH0859 (黄色)

WJH0859 (黄色脚踏)

立式紧急洗眼器

- 材质: SS304
- 表面处理: 高亮度环氧树脂涂层
- 使用功能: 眼面部冲洗
- 开关球阀: 两片式快开球阀
- 管道直径: 38mm
- 公称压力: 1.0Mpa
- 工作压力: 0.2 ~ 0.4Mpa
- 测试压力: 1.5Mpa
- 使用环境温度: 0 ~ 40℃
- 洗眼 / 洗脸水流量: ≥ 11.4 L/min
- 洗眼盆: 300mm 直边设计, 聚水集中, 防止飞溅
- 防尘盖: 主体一体式设计, 不易丢失
- 进水口尺寸: 1/2" 英制外螺纹
- 排水口尺寸: 1" 英制内螺纹
- 进水口高度: 753mm
- 排水口高度: 86mm

★ 产品特点: 洗眼洗面停止使用后, 管道内积水自动排空, 达到防冻的目的。

★ 备注: 进、排水口尺寸可按用户需求定制, 建议进水口设置维修应急阀门和过滤器。

FLOOR-MOUNT EMERGENCY EYE WASH

- Materials: SS304
- Surface finishing: glossy epoxy coated
- Function: eye and face washing
- Eye wash switch: two-piece ball valve
- Pipe diameter: 38mm
- Nominal pressure: 1.0Mpa
- Working pressure: 0.2~0.4Mpa
- Test pressure: 1.5Mpa
- Working environment temperature: 0°C~40°C
- Eye wash/face wash water flow: ≥11.4 L/min
- Eye wash bowl: 300mm straight edge design, gather water, prevent splash
- Dust cover: integrated design of main body, not easy to lose
- Inner size: G 1/2", male
- Outlet size: Rp 1", female
- Inlet height: 753mm
- Outlet height: 86mm
- Product features: After the use of eye wash and face wash is stopped, the water in the pipeline will be drained automatically to achieve the purpose of anti-freezing.

★ Notes: The inlet part and outlet part are customizable; shut off valve and filter are proposed to be equipped on the water-supply end.



WJH0859 (红色)

WJH0859 (红色脚踏)

立式紧急洗眼器

- 材质: SS304
- 表面处理: 精细抛光
- 使用功能: 眼面部冲洗
- 开关球阀: 两片式球阀
- 不锈钢防尘盖: 盖体一体式, 有效隔离粉尘
- 管道直径: 38mm
- 公称压力: 1.0Mpa
- 工作压力: 0.2 ~ 0.4Mpa
- 测试压力: 1.5Mpa
- 使用环境温度: 0 ~ 40℃
- 洗眼 / 洗脸水流量: ≥ 11.4 L/min
- 洗眼盆: 300mm 直边设计, 聚水集中, 防止飞溅
- 防尘盖: 主体一体式设计不易丢失
- 进水口尺寸: 3/4" 英制内螺纹
- 排水口尺寸: 1" 英制内螺纹
- 进水口高度: 1065mm
- 排水口高度: 90mm

★ 产品特点: 洗眼洗面停止使用后, 管道内积水自动排空, 达到防冻的目的。

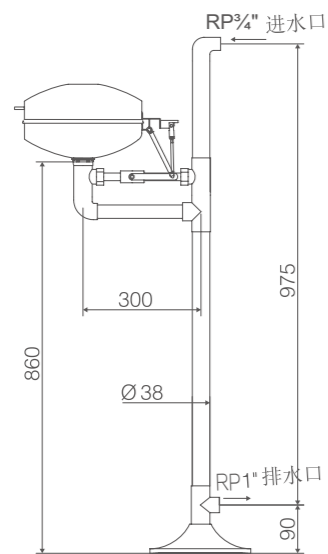
★ 备注: 进、排水口尺寸可按用户需求定制, 建议进水口设置维修应急阀门和过滤器。

FLOOR-MOUNT EMERGENCY EYE WASH

- Materials: SS304
- Surface finishing: fine-polished
- Function: eye and face washing
- Eye wash switch: two-piece ball valve
- Stainless steel dust cover: integrated cover, effective dust isolation
- Pipe diameter: 38mm
- Nominal pressure: 1.0Mpa
- Working pressure: 0.2~0.4Mpa
- Test pressure: 1.5Mpa
- Working environment temperature: 0°C~40°C
- Eye wash/face wash water flow: ≥ 11.4 L/min
- Eye wash bowl: 300mm straight edge design, gather water, prevent splash
- Dust cover: integrated design of main body, not easy to lose
- Inner size: Rp 3/4", female
- Outlet size: Rp 1", female
- Inlet height: 1065mm
- Outlet height: 90mm

★ Product features: After the use of eye wash and face wash is stopped, the water in the pipeline will be drained automatically to achieve the purpose of anti-freezing.

★ Note: The inlet part and outlet part are customizable; shut off valve and filter are proposed to be equipped on the water-supply end.



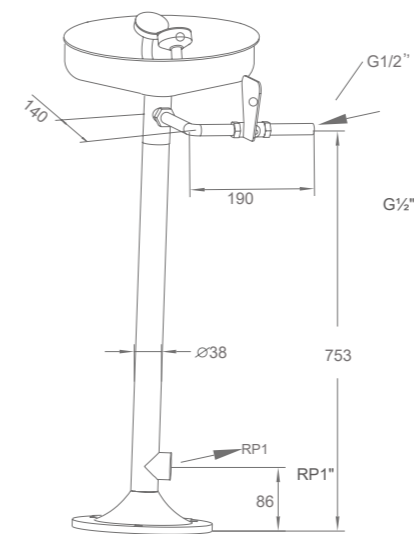
WJH0959B

立式紧急洗眼器

- 材质: SS304
- 表面处理: 精细抛光
- 使用功能: 眼面部冲洗
- 开关球阀: 两片式球阀
- 管道直径: 38mm
- 公称压力: 1.0Mpa
- 工作压力: 0.2 ~ 0.4Mpa
- 测试压力: 1.5Mpa
- 使用环境温度: 0 ~ 40℃
- 洗眼 / 洗脸水流量: ≥ 11.4 L/min
- 洗眼盆: 300mm 直边设计, 聚水集中, 防止飞溅
- 防尘盖: 主体一体式设计不易丢失
- 进水口尺寸: 1/2" 英制外螺纹
- 排水口尺寸: 1" 英制内螺纹
- 进水口高度: 753mm
- 排水口高度: 86mm

★ 产品特点: 洗眼洗面停止使用后, 管道内积水自动排空, 达到防冻的目的。

★ 备注: 进、排水口尺寸可按用户需求定制, 建议进水口设置维修应急阀门和过滤器。可添加不锈钢脚踏板, 控制洗眼开关。



WJH0959

FLOOR-MOUNT EMERGENCY EYE WASH

- Materials: SS304
- Surface finishing: fine-polished
- Function: eye and face washing
- Eye wash switch: two-piece ball valve
- Pipe diameter: 38mm
- Nominal pressure: 1.0Mpa
- Working pressure: 0.2~0.4Mpa
- Test pressure: 1.5Mpa
- Working environment temperature: 0°C~40°C
- Eye wash/face wash water flow: ≥ 11.4 L/min
- Eye wash bowl: 300mm straight edge design, gather water, prevent splash
- Dust cover: integrated design of main body, not easy to lose
- Inner size: G 1/2", male
- Outlet size: Rp 1", female
- Inlet height: 753mm
- Outlet height: 86mm

• Product features: After the use of eye wash and face wash is stopped, the water in the pipeline will be drained automatically to achieve the purpose of anti-freezing.

★ Note: The inlet part and outlet part are customizable; shut off valve and filter are proposed to be equipped on the water-supply end; stainless steel foot treadle can be added to control the eye wash switch.

接墙式冲淋 / 洗眼器

- 材质: SS304/ABS
- 涂层: 精细抛光
- 功能: 冲淋 + 洗眼
- 球阀: 两片式快开球阀
- 管道直径: 38/48mm
- 进水口尺寸: 1"1/4" 英制内螺纹
- 喷淋水流量: $\geq 76\text{L/min}$
- 洗脸 / 洗脸水流量: $\geq 11.4\text{L/min}$

WALL-MOUNTED SHOWER & EYE WASH

- Material: Stainless Steel 304 /ABS
- Surface finishing: fine-polished
- Function: eye and face washing & showering
- Shower & eye wash switch: two-piece ball valve
- Pipe diameter: 38/48 mm
- Inlet thread: Rp 1"1/4", female
- Flow rate of body shower: $\geq 76\text{L/min}$
- Flow rate of eye/face wash: $\geq 11.4\text{L/min}$



WJH0358C

接墙式洗眼器

- 材质: SS304
- 涂层: 精细抛光
- 功能: 眼面部冲洗
- 球阀: 两片式快开球阀
- 公称压力: 1.0Mpa
- 工作压力: 0.2 ~ 0.4Mpa
- 测试压力: 1.5Mpa
- 使用环境温度: 0 ~ 40°C
- 洗眼 / 洗脸水流量: $\geq 11.4\text{L/min}$
- 进水口尺寸: 1-1/4" 英制内螺纹 / 1/2 英制内螺纹
- 排水口尺寸: 1-1/4" 英制内螺纹 / 1" 英制内螺纹

★备注: 进、排水口尺寸可按用户需求定制, 建议进水口设置维修应急阀门和过滤器

WALL-MOUNTED EMERGENCY EYE WASH

- Material: stainless steel 304
- Surface finishing: fine-polished
- Function: wash eyes and face
- Eye wash switch: two-piece ball valve
- Nominal pressure: 1.0 Mpa
- Working pressure: 0.2-0.4 Mpa
- Testing pressure: 1.5 Mpa
- Temperature requirement on working environment: 0°C-40°C
- Flow rate of eye/face wash: $\geq 11.4\text{L/min}$
- Inlet thread: Rp 1-1/4", female / Rp 1/2", female
- Outlet thread: Rp 1-1/4", female / Rp 1", female

• Notes: the inlet part and outlet part are customizable; shutoff valve and filter are proposed to be equipped on the water-supply end



WJH0359C



WJH0359D

接墙式洗眼器

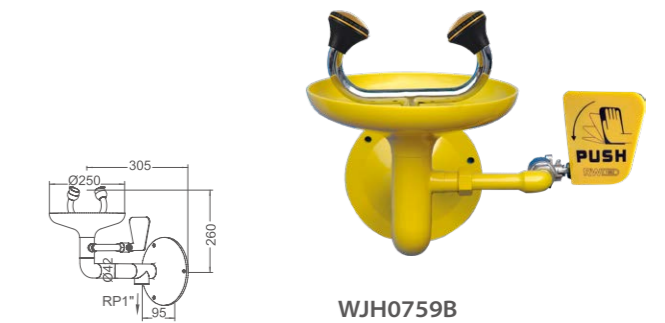
- 材质: SS304/ABS
- 涂层: 高亮度环氧树脂涂层
- 功能: 眼面部冲洗
- 球阀: 两片式快开球阀
- 公称压力: 1.0Mpa
- 工作压力: 0.2 ~ 0.4Mpa
- 测试压力: 1.5Mpa
- 使用环境温度: 0 ~ 40°C
- 洗眼 / 洗脸水流量: $\geq 11.4\text{L/min}$
- 进水口尺寸: 1/2" 英制内螺纹
- 排水口尺寸: 1" 英制内螺纹

★备注: 进、排水口尺寸可按用户需求定制, 建议进水口设置维修应急阀门和过滤器

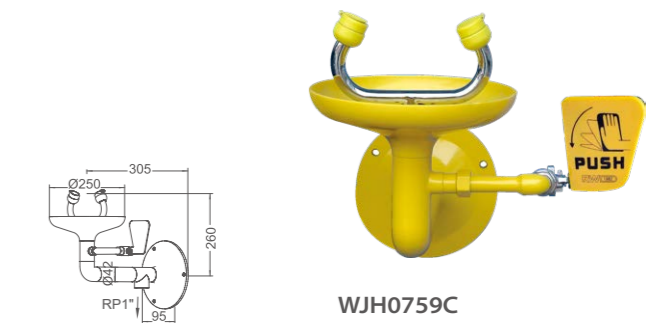
WALL-MOUNTED EMERGENCY EYE WASH

- Material: stainless steel 304/ ABS
- Surface finishing: glossy epoxy coated
- Function: wash eyes and face
- Eye wash switch: two-piece ball valve
- Nominal pressure: 1.0 Mpa
- Working pressure: 0.2-0.4 Mpa
- Testing pressure: 1.5 Mpa
- Temperature requirement on working environment: 0°C-40°C
- Flow rate of eye/face wash: $\geq 11.4\text{L/min}$
- Inlet thread: Rp 1/2", female
- Outlet thread: Rp 1", female

• Notes: the inlet part and outlet part are customizable; shutoff valve and filter are proposed to be equipped on the water-supply end.



WJH0759B



WJH0759C



WJH0785



WJH0358D

接墙式紧急冲淋洗眼器

- 材质: SS304
- 安装方式: 墙壁嵌入式 (卫生节省空间)
- 功能: 洗眼 + 喷淋
- 冲淋喷头: SS304 不锈钢
- 洗眼喷头: ABS 工程塑料
- 喷淋水流量: ≥ 76 L/min
- 洗脸 / 洗眼水流量: ≥ 11.4 L/min
- 洗眼喷头: 配备双流量调节阀
- 进水口: 1" 英制内螺纹
- 排水口: 1-1/4" 英制内螺纹

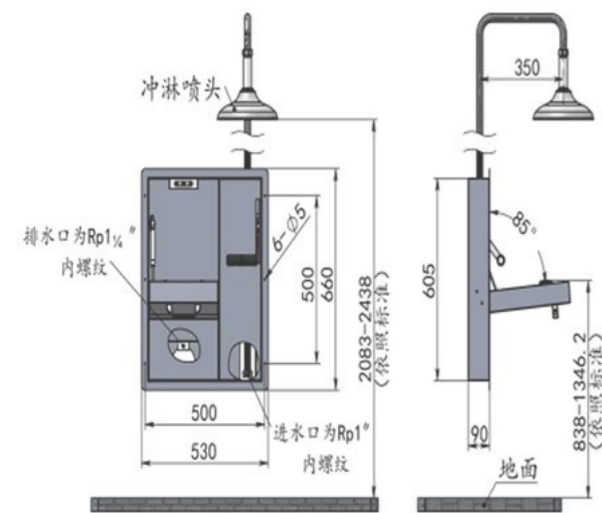
★备注: 嵌入式洗眼器隔绝粉尘污染, 高效利用空间, 适用于无菌车间, 医院, 高端实验室等环境

WALL-MOUNTED EMERGENCY SHOWER & EYE WASH

- Material: stainless steel 304
- Installation: wall embedded (save space)
- Function: shower+eye wash
- Shower head: stainless steel 304
- Eye wash sprayer head: ABS engineering plastic
- Flow rate of body shower: ≥ 76 L/min
- Flow rate of eye/face wash: ≥ 11.4 L/min
- Sprayer head: each sprayer head equips with one water-flow control valve
- Inlet thread: Rp 1" ,female
- Outlet thread: Rp 1-1/4" ,female
- Notes: The embedded eye wash is isolated from dust pollution, uses space efficiently, Suitable for aseptic workshops, hospitals, high-end laboratories and other environments.



WJH1858



便携式洗眼 / 洗脸器

- 洗眼器材质: 全新无毒 PE
- 颜色: 警示黄 / 浅绿色 / 环保绿
- 特点: 无需安装, 不受使用环境限制
- 容积: 10 加仑 (38L)
- 使用水源温度: 0 ~ 40°C
- 使用时间: ≥ 15 min
- 洗眼水流量: ≥ 1.5 L/min
- 洗眼器尺寸: 长 x 宽 x 高 = 400 x 413 x 630mm

★备注: 需定期更换箱体内存水, 更换周期 7 天

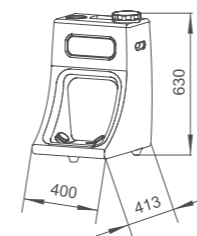
PORTABLE EMERGENCY EYE WASH

- Material of eye wash: polyethylene (PE)
- Color: Yellow / Light Green / Green
- Features: Installation-free, no restrictions on the use environment
- Volume: 10 gallons (38 L)
- Water usage temperature: 0°C-40°C
- Usage time: ≥ 15 minutes
- Flow rate of eye wash: ≥ 1.5 L/min
- Dimensions: L / W / H: 400*413*630 mm

★ Note: weekly tank-water replacing is recommended



WJH0983-01 (警示黄)



WJH0983-01 (浅绿色)



WJH0983-01 (环保绿)

便携式洗眼 / 洗脸器

- 洗眼器材质: 全新无毒 PE
- 颜色: 警示黄 / 浅绿色 / 环保绿
- 特点: 无需安装, 不受使用环境限制
- 容积: 20 加仑 (75L)
- 使用水源温度: 0 ~ 40°C (建议安装在室内使用)
- 使用时间: ≥ 15min
- 洗眼水流量: ≥ 1.5 L/min
- 洗眼器尺寸: 长 x 宽 x 高 = 550 × 480 × 650mm

★备注: 需定期更换箱体内储水, 更换周期 7 天

PORTABLE EMERGENCY EYE WASH

- Material of eye wash: polyethylene (PE)
- Color: Yellow / Light Green/ Green
- Features: Installation-free, no restrictions on the use environment
- Volume: 20 gallons (75 L)
- Ambient temperature: 0°C~40°C (indoor installation and use are proposed)
- Usage time: ≥15 minutes
- Flow rate of eye wash: ≥ 1.5 L/min
- Dimensions: L / W / H: 550*480*650 mm

★ Note: weekly tank-water replacing is recommended



WJH0985-01 (警示黄)

便携式洗眼 / 洗脸器

- 洗眼器材质: 全新无毒 PE
- 颜色: 警示黄 / 浅绿色 / 环保绿
- 特点: 无需安装, 不受使用环境限制
- 洗眼器容积: 20 加仑 (75L)
- 推车容积: 50 加仑 (190L)
- 使用水源温度: 0 ~ 40°C (建议安装在室内使用)
- 使用时间: ≥ 15min
- 洗眼水流量: ≥ 1.5 L/min
- 洗眼器尺寸: 长 x 宽 x 高 = 550 × 480 × 650mm
- 推车尺寸: 长 x 宽 x 高 = 690 × 530 × 740mm
- 产品特点: ①废液收集箱底部配有排水阀
②自带万向轮, 可根据现场需要随意移动, 使用方便

★备注: 需定期更换箱体内储水, 更换周期 7 天

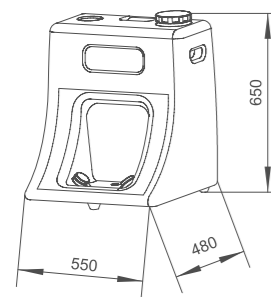
PORTABLE EMERGENCY EYE WASH

- Material of eye wash: polyethylene (PE)
- Color: Yellow / Light Green/ Green
- Features: Installation-free, no restrictions on the use environment
- Eye wash volume: 20 gallons (75 L)
- Trolley volume: 50 gallons (190 L)
- Ambient temperature: 0°C~40°C (indoor installation and use are proposed)
- Usage time: ≥15 minutes
- Flow rate of eye wash: ≥ 1.5 L/min
- Eye wash size: L / W / H=550*480*650 mm
- Trolley size: L / W / H= 690*530*740 mm
- Features: 1. there is a drain valve at the bottom of the trolley
2. with universal wheel, can be moved according to the site, easy to use

★ Note: weekly tank-water replacing is recommended



WJH0985 (警示黄)



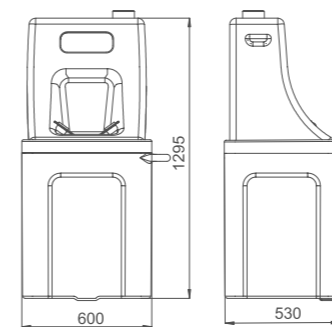
WJH0985-01 (浅绿色)



WJH0985-01 (环保绿)



凹槽设计 便于放置洗眼液



WJH0985 (浅绿色)



WJH0985 (环保绿)

便携式洗眼 / 洗脸器

- 材质: 全新无毒 PE
- 功能: 洗眼洗面
- 容积: 8 加仑 (30L)/16 加仑 (60L)
- 颜色: 环保绿
- 使用时间: $\geq 15\text{min}$
- 洗眼水流量: $\geq 1.5\text{ L/min}$
- 使用环境温度: $0 \sim 40^\circ\text{C}$ (建议安装在室内使用)
- 适用场所: 广泛应用于无尘车间、石油、化工、医药、消防、电力和港口等场所。

★ 选配: 可以添加移动小车及废水收集箱。

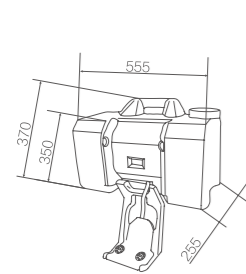
★ 备注: 需定期更换箱体内储水, 更换周期 7 天

PORTABLE EMERGENCY EYE WASH

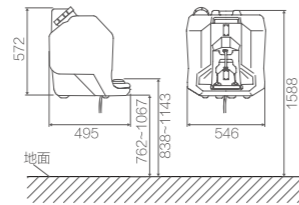
- Material of eye wash: polyethylene (PE)
- Function: wash eyes and face
- Volume: 8 gallons (30L)/16 gallons (60L)
- Color: Green
- Usage time: $\geq 15\text{min}$
- Flow rate of eye wash: $\geq 1.5\text{ L/min}$
- Ambient temperature: $0^\circ\text{C} \sim 40^\circ\text{C}$ (indoor installation and use are proposed)
- Applicable places: widely used in dust-free workshops, petroleum, chemical, pharmaceutical, fire fighting and other places.

★ Optional: You can add mobile trolley and waste water collection tank

★ Note: weekly tank-water replacing is recommended



WJH0982A



WJH0982

便携压力式冲肤 / 洗眼器

- 材质: 全新无毒 PE
- 功能: 冲肤 + 洗眼
- 容积: 5L
- 压力表: 清晰显示压力, 一目了然
- 减压阀: 压力可控
- 工作压力: $0.2 \sim 0.4\text{Mpa}$
- 使用时间: $\geq 15\text{min}$
- 使用环境温度: $0 \sim 40^\circ\text{C}$ (建议安装在室内使用)
- 适用场所: 广泛应用于无尘车间、石油、化工、医药、消防、电力和港口等场所。

★ 备注: 需定期更换箱体内存水, 更换周期 7 天

PORTABLE PRESSURE HAND-HELD SHOWER/EYE WASH

- Material: polyethylene (PE)
- Function: shower + eye wash
- Volume: 5L
- Pressure gage: clearly shows the pressure, at a glance
- Pressure reducing valve: pressure controllable
- Working pressure: $0.2 \sim 0.4\text{Mpa}$
- Usage time: $\geq 15\text{min}$
- Ambient temperature: $0^\circ\text{C} \sim 40^\circ\text{C}$ (indoor installation and use are proposed)
- Applicable places: widely used in dust-free workshops, petroleum, chemical, pharmaceutical, fire fighting and other places.

★ Note: weekly tank-water replacing is recommended



WJH0782

便携压力式冲肤 / 洗眼器

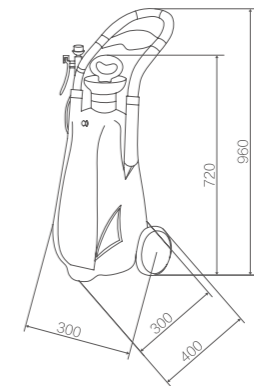
- 材质: 全新无毒 PE
- 功能: 冲肤 + 洗眼
- 特点: 可移动推车式
- 容积: 12L
- 工作压力: $0.2 \sim 0.4\text{Mpa}$
- 使用时间: $\geq 15\text{min}$
- 使用环境温度: $0 \sim 40^\circ\text{C}$ (建议安装在室内使用)
- 适用场所: 广泛应用于无尘车间、石油、化工、医药、消防、电力和港口等场所。

★ 备注: 需定期更换箱体内存水, 更换周期 7 天

PORTABLE PRESSURE HAND-HELD SHOWER/EYE WASH

- Material: polyethylene (PE)
- Function: shower + eye wash
- Features: removable trolley
- Volume: 12L
- Working pressure: $0.2 \sim 0.4\text{Mpa}$
- Usage time: $\geq 15\text{min}$
- Ambient temperature: $0^\circ\text{C} \sim 40^\circ\text{C}$ (indoor installation and use are proposed)
- Applicable places: widely used in dust-free workshops, petroleum, chemical, pharmaceutical, fire fighting and other places.

★ Note: weekly tank-water replacing is recommended



WJH0782A



WJH0982 (推车版)



WJH0982A (小推车)



WJH0982 (小推车)

便携压力式冲肤 / 洗眼器

- 材质: 全新无毒 PE
- 功能: 冲肤 + 洗眼
- 容积: 35L
- 工作压力: 0.2 ~ 0.4Mpa
- 使用时间: ≥ 15min
- 使用环境温度: 0 ~ 40°C (建议安装在室内使用)
- 适用场所: 广泛应用于无尘车间、石油、化工、医药、消防、电力和港口等场所。
- 注明: 利用蓄电池带动发动机, 电机带动压力泵, 泵内产生压力, 从而喷出雾化水。

★产品特点: 本产品自带万向轮, 可根据现场需要随意移动, 使用方便。

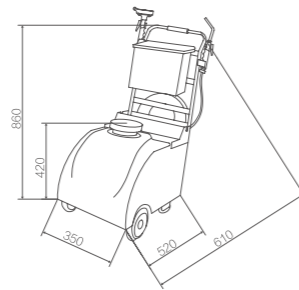
★备注: 需定期更换箱体内储水, 更换周期 7 天

PORTABLE PRESSURE HAND-HELD SHOWER/EYE WASH

- Material: polyethylene (PE)
- Function: shower + eye wash
- Volume: 35L
- Working pressure: 0.2 ~ 0.4Mpa
- Usage time: ≥ 15min
- Ambient temperature: 0°C ~ 40°C (indoor installation and use are proposed)
- Applicable places: widely used in dust-free workshops, petroleum, chemical, pharmaceutical, fire fighting and other places.
- Notes: Use the battery to drive the engine, and the motor to drive the pressure pump, which generates pressure in the pump to spray atomized water.

★ Product features: with universal wheel, can be moved according to the site

★ Note: weekly tank-water replacing is recommended



WJH0781

移动式洗眼器

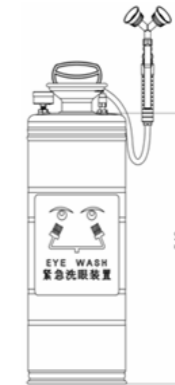
- 材质: SS304
- 功能: 洗眼洗面
- 容积: 8L
- 压力表: 清晰显示压力, 一目了然, 安全放心
- 泄压阀: 压力可控
- 工作压力: 0.2 ~ 0.4Mpa
- 使用时间: ≥ 15min
- 使用环境温度: 0 ~ 40°C (建议安装在室内使用)
- 适用场所: 广泛应用于无尘车间、石油、化工、医药、消防、电力和港口等场所。

★备注: 需定期更换箱体内储水, 更换周期 7 天

REMOVABLE EYE WASH

- Material: stainless steel 304
- Function: wash eyes and face
- Volume: 8L
- Pressure gauge: clearly shows the pressure, at a glance, safe and secure
- Pressure relief valve: pressure controllable
- Working pressure: 0.2 ~ 0.4Mpa
- Usage time: ≥ 15min
- Ambient temperature: 0°C ~ 40°C (indoor installation and use are proposed)
- Applicable places: widely used in dust-free workshops, petroleum, chemical, pharmaceutical, fire fighting and other places.

★ Note: weekly tank-water replacing is recommended



WJH1602

便携压力式冲肤 / 洗眼器

- 材质: 全新无毒 PE
- 功能: 冲肤 + 洗眼
- 特点: 可充电移动式
- 容积: 20L
- 工作压力: 0.2 ~ 0.4Mpa
- 使用时间: ≥ 15min
- 使用环境温度: 0 ~ 40°C (建议安装在室内使用)

★产品特点:

- ①具有移动轮和储水箱, 免管路安装, 并且拉杆长度可据人体高度调节, 可根据现场需要随意移动, 使用方便
- ②加大注水口, 注水方便, 并设有 2 道过滤网
- ③洗眼开关手柄模仿人体手形设计, 手感好, 操作灵活。不用时可挂于挂架上
- ④专用充电器, 采用智能三段式充电 (恒流 / 恒压 / 维护), 有短路 / 过流 / 反接保护功能, 充电器指示灯显示: 红色 - 充电, 绿色 - 充满 / 待机。

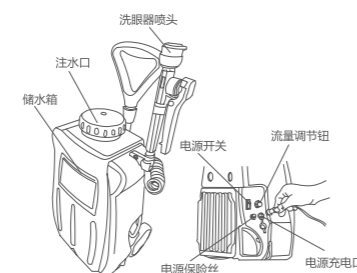
★备注: 需定期更换箱体内储水, 更换周期 7 天

PORTABLE PRESSURE HAND-HELD SHOWER/EYE WASH

- Material: polyethylene (PE)
- Function: shower + eye wash
- Features: rechargeable mobile
- Volume: 20L
- Working pressure: 0.2 ~ 0.4Mpa
- Usage time: ≥ 15min
- Ambient temperature: 0°C ~ 40°C (indoor installation and use are proposed)
- Features:

- ① It has a mobile wheel and a water storage tank, free of pipeline installation, and the length of the rod can be adjusted according to the height of the human body.
- ② Enlarged the water injection port for easy water injection, and there are 2 filters
- ③ The handle of the eye wash switch valve imitates the human hand shape design, with good hand feeling and flexible operation. Can be hung on the rack when not in use.
- ④ Special charger, using intelligent three-stage charging (constant current / constant voltage / maintenance), with short circuit / over current / reverse connection protection function, The charger indicator shows: red-charging, green-full / standby

★ Note: weekly tank-water replacing is recommended



WJH0781-1

移动式洗眼器

- 材质: SS304
- 功能: 洗眼洗面
- 容积: 10 加仑
- 压力表: 清晰显示压力, 一目了然
- 压力调节阀: 压力可控
- 工作压力: 0.2 ~ 0.4Mpa
- 使用时间: ≥ 15min
- 使用环境温度: 0 ~ 40°C (建议安装在室内使用)
- 适用场所: 广泛应用于无尘车间、石油、化工、医药、消防、电力和港口等场所。

★产品特点: 本产品自带万向轮, 可根据现场需要随意移动, 使用方便。

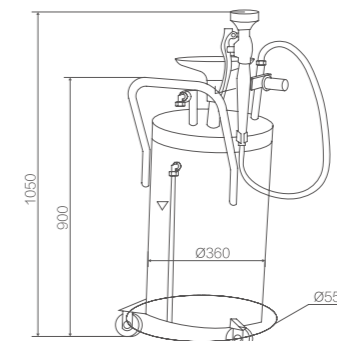
★备注: 需定期更换箱体内储水, 更换周期 7 天

REMOVABLE EYE WASH

- Material: stainless steel 304
- Function: wash eyes and face
- Volume: 10L
- Pressure gauge: clearly shows the pressure, at a glance, safe and secure
- Pressure relief valve: pressure controllable
- Working pressure: 0.2 ~ 0.4Mpa
- Usage time: ≥ 15min
- Ambient temperature: 0°C ~ 40°C (indoor installation and use are proposed)
- Applicable places: widely used in dust-free workshops, petroleum, chemical, pharmaceutical, fire fighting and other places.

★ Features: with a universal wheel, can be moved according to the site

★ Note: weekly tank-water replacing is recommended



WJH0659

台式移动洗眼器

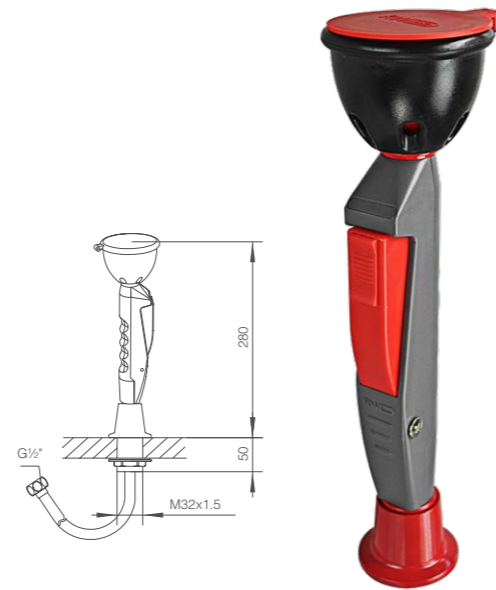
- 材质: 加厚铜质
- 壳体材质: ABS(可拆卸)
- 使用功能: 洗眼 / 脸
- 开关: 具有自锁功能, 开关灵活方便
- 洗眼喷头: 软性橡胶, 出水经减压处理呈泡沫状水柱, 避免对患处二次伤害。
- 防尘盖: PP 材质, 使用时自动被水冲开。
- 软管: 长度 1400mm, 软性 PVC 管外覆不锈钢, 外层包覆 PE 管, 有效防止生锈、渗漏
- 工作压力: 0.2 ~ 0.4 Mpa
- 洗眼水流量: ≥ 1.5 L/min
- 进水口尺寸: 1/2" 英制内螺纹
- 安装方式: 台面 / 壁挂

★使用说明: 使用时, 从台面固定座中抽出洗眼器主体, 用拇指按下推钮同时向前推, 开关阀门开启并锁住水流, 即可冲洗; 冲洗完毕, 拉回推钮并松开, 开关阀门即关闭, 然后将洗眼器主体复位到台面固定座中

BENCH-MOUNT/HAND-HELD EYE WASH

- Body: Solid brass
- Materials: ABS(demountable)
- Function: eye and face washing
- Water locking switch: With self-locking function, the switch is flexible and convenient
- Eyewash nozzle: soft rubber, outgoing water is depressurized to avoid secondary injury to eyes
- Dust cover: polypropylene made, would be opened by outgoing water flow
- Supply Hose: The length of 1.5 meters, a flexible PVC pipe is coated by stainless steel wire mesh, coated PE tube, effectively prevent rusting and leaking
- Working pressure: 0.2~0.4Mpa
- Flow of eye wash: ≥1.5 L/min
- Inner size: Rp1/2" female

★ Instruction: take out the the eye wash from the bench holder, press and push forwardly the button by thumb, then the switch would reach "ON" state and water flow would be constantly supplied to wash injury; when finished, just push backwardly and release the button to close.



WJH2155-1

台式移动洗眼器

- 主体: 加厚铜质
- 涂层: 高亮度超厚电镀层, 耐腐蚀、耐热, 防紫外线辐射
- 洗眼喷头: 软性橡胶, 出水经减压处理呈泡沫状水柱, 防止冲伤眼睛
- 防尘盖: PP 材质, 使用时自动被水冲开
- 开关: 水流在 1 秒钟内快速启动, 方便使用
- 控水阀: 止逆阀, 其阀门可自动关闭
- 软管: 供水软管长度 1.4 米, 软性 PVC 管外覆不锈钢网
- 水压: 最大耐压 7 巴

★选择: 1. 可供台式 / 壁式安装方式 2. 可供单 / 双喷淋头 3. 可供洗瓶器

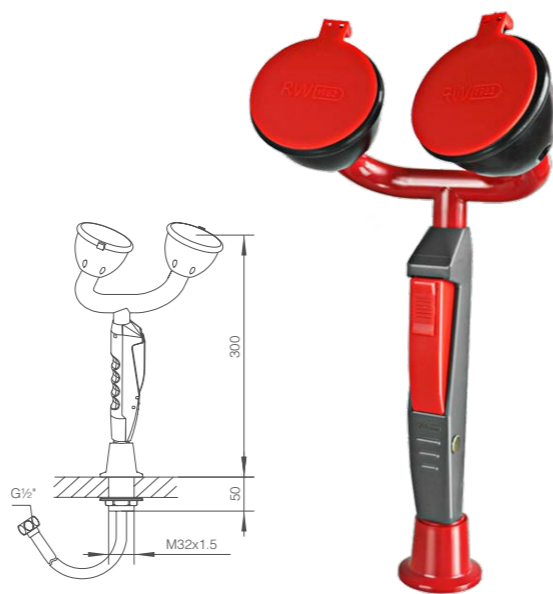
BENCH-MOUNT/HAND-HELD EYE WASH

- Body: Solid brass
- Coating: High gloss thick plating coating, resistant to chemicals, UV fading and heat
- Eyewash nozzle: soft rubber, outgoing water is depressurized to avoid secondary injury to eyes
- Dust cover: polypropylene made, would be opened by outgoing water flow
- Switch: prompt response makes water coming out within 1 second
- Water-control valve: non-return valve, which is self-closing
- Hose: the water inlet hose, with length of 1.4 meters, is soft PVC tube covered by stainless steel wire mesh
- Maximum working pressure: 7 bar

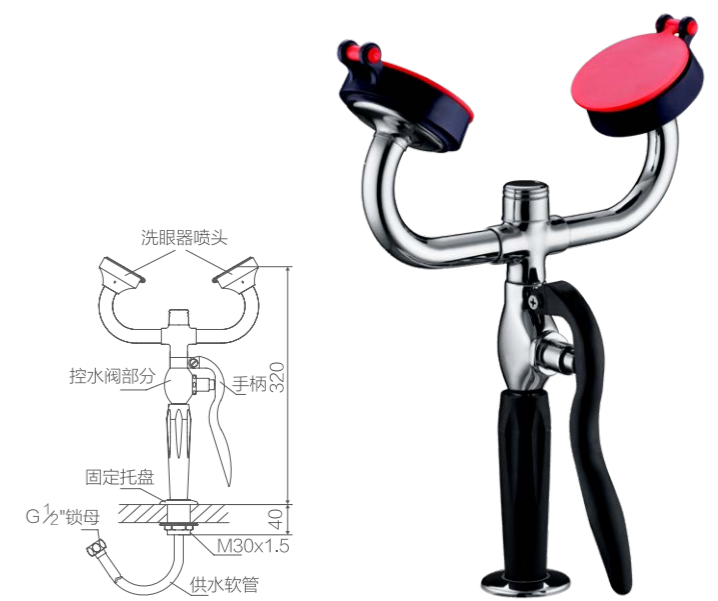
★ More options:
 1.Desk/wall mounted available
 2.Single/double spray head(s) available
 3.Bottle wash available



WJH0355



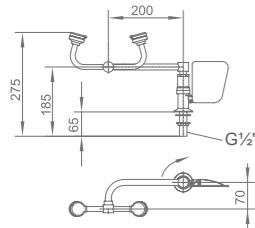
WJH2155-4



WJH0355A

台式可旋转双口洗眼器

- 主体材质：加厚铜质。
- 功能：洗眼洗面
- 涂层：高亮度超厚电镀层，耐腐蚀、耐热，防紫外线辐射。
- 洗眼喷头：出水经缓压处理呈泡沫状水柱，避免对患处二次伤害。
- 防尘盖：使用时自动被水冲开。
- 推板开关：用手推一下推板，即可洗眼、洗面，方便使用。
- 球阀：两片式 304 快开球阀。
- 水压：0.2 ~ 0.4Mpa
- 安装方式：台式
- 特点：供水弯管部分可以 360° 旋转，使用方便



BENCH-MOUNT/HAND-HELD EYE WASH

- Body: Solid brass
- Function: eye and face washing
- Coating: High gloss thick plating coating, resistant to chemicals,UV fading and heat
- Eyewash nozzle: soft rubber, outgoing water is depressurized to avoid secondary injury to eyes
- Dust cover: could be easily opened by outgoing water flow
- Push-board switch: by pushing the board by hand, one can wash eyes, face
- Ball valve: two-piece-type quick opening 304 stainless steel ball valve
- Working pressure: 0.2~0.4Mpa
- Installation method: to be mounted on bench top
- Feature: the water inlet tube could be rotated by 360 degree



WJH1555A

台式移动洗眼器

- 材质：加厚铜质
- 涂层：高亮度超厚电镀层，耐腐蚀、耐热，防紫外线辐射
- 功能：洗眼洗脸
- 洗眼喷头：软性橡胶，出水经缓压处理呈泡沫状水柱，避免对患处二次伤害
- 防尘盖：PP 材质，使用时自动被水冲开
- 水压：0.2 ~ 0.4Mpa。
- 特点：具有冷、热水混合功能，发生事故冲洗和实验室正常供水两种用途。整体安装于台面，冲洗部分配有供水软管扩大冲淋范围。供水弯管可以 360° 旋转，使用方便

BENCH-MOUNT/HAND-HELD EYE WASH

- Body: Solid brass
- Function: eye and face washing
- Coating: High gloss thick plating coating, resistant to chemicals,UV fading and heat
- Eyewash nozzle: soft rubber, outgoing water is depressurized to avoid secondary injury to eyes
- Dust cover: polypropylene made, would be opened by outgoing water flow
- Push board: push the board by hand, you can wash your eyes and face, easy to use
- ball valve: SS304
- Working pressure: 0.2~0.4Mpa

★ Features: With cold and hot water mixing function, it has accident flushing and normal water supply in the laboratory. The washing part is equipped with water supply hose to extend the washing range. The water supply elbow can be rotated 360 times for easy operation.



WJH0711D

台上洗眼器

- 主体材质：不锈钢
- 功能：洗眼洗脸
- 表面处理：拉丝工艺
- 洗眼喷头：专利设计，自带双流量调节阀
- 防尘盖：主体一体式设计不易丢失，使用时自动被水冲开。
- 标识：开关标识置于推板正面，提示开关方向，醒目清晰
- 推板：用手推一下推板，即可洗眼、洗面，方便使用
- 球阀：两片式 304 快开球阀
- 水压：0.2 ~ 0.4Mpa
- 安装方式：台式

BENCH-MOUNT EYE WASH

- Body: SS304
- Function: eye and face washing
- Surface finishing: sanded
- Spray head feature: patented design, each spray head equips with one water-flow control valve
- Dust cover: could be easily opened by outgoing water flow
- Sign: the sign, on the push-board, clearly shows the pushing direction to open
- Push-board switch: by pushing the board by hand, one can wash eyes, face
- ball valve: SS304
- Working pressure: 0.2~0.4Mpa
- Installation method: to be mounted on bench top



WJH0759D

洗眼喷头

- 喷头自带流量调节功能，适用水压范围广
- 具有过滤整流功能，使水束柔和，水流丰富充足
- 防尘功能：自带防尘盖，并能在水压作用下自动打开，使用方便，清洁卫生
- 防尘盖自带挂环且 360 度转动并可任意定位，使用方便，避免不慎丢失
- The sprinkler has its own flow regulation function, which is suitable for a wide range of water pressure
- It has the function of filtering and rectifying, which makes the water soft and abundant
- Dust-proof function: self-contained dust-proof cover, and can automatically open under the action of water pressure, easy to use, clean and hygienic
- Dust-proof cover has its own hanging ring and can be rotated 360 degrees and positioned arbitrarily. It is easy to use and avoid accidental loss



- ★ 防尘盖自带挂环且 360° 转动并可任意定位，使用方便，避免不慎丢失
- ★ Dust-proof cover has its own hanging ring and can be rotated 360° degrees and positioned arbitrarily. It is easy to use and avoid accidental loss

进口洗眼液
 Imported Eyewash



WJH4801
 洗眼液
 Eyewash

◆ Plum 酸碱中和眼部及皮肤冲洗液
 所含的 4.9% 的无菌磷酸盐缓冲液能够快速有效的综合酸碱溶液。实验证明它既安全又有效。这款洗眼液能快速的中和酸碱溶液，同时对眼睛不会产生任何的危
 PH Neutral: 4.9% sterile phosphate buffer for a rapid and effective neutralising of acids and alkali. Documented safety and effect. The fluid neutralises acids and alkali fast and with no danger for the eye.



WJH4604
 洗眼液
 Eyewash

◆ Plum 眼部及皮肤冲洗液
 所含的 0.9% 无菌氯化钠溶液与人体自然眼液相当。主要适用于灰尘、脏污、异物的冲洗，及在使用酸碱中和洗眼液之后继续用来冲洗其他化学物质等。
 Plum Eye Wash: 0.9% sterile sodium chloride solution corresponding the eye's natural fluid. Suitable for dust, dirt, foreign bodies, other chemicals and for the continuous rinsing after PH Neutral



WJH4694
 洗眼液 (加装挂板)
 Eyewash (with bracket)



WJH0783
 洗眼液 (32 盎司)
 Eyewash (32 ounces)



WJH4695
 洗眼液 (加装挂板)
 Eyewash (with bracket)



WJH0783A
 洗眼液 (16 盎司)
 Eyewash (16 ounces)



WJH0783B
 洗眼瓶
 Eyewash bottle

- 1、冲肤洗眼瓶，仅作为紧急处理，处理后必须立即就医。
- 2、加纯净水 500ml，每 90 天应换纯净水。
- 3、容器均由聚乙烯无毒材料制造。
- 1, Flush skin eyewash, only as an emergency treatment, you must seek medical advice immediately after processing treatment.
- 2, add 500ml of pure water, pure water should be changed every 90 days.
- 3, containers are made of polyethylene, non-toxic materials.

您只有两只眼睛---一定要保护好它们!
 You only have two eyes take care of them!



1. 从挂板拿下洗眼液
 Remove the bottle from the station



























2. 旋转瓶盖将内部封口打开
 Twist the lid until the seal breaks



3. 倾斜头部，开始冲洗
 Tilt your head and rinse

洗眼器可选配件清单表

List of optional accessories for eye washer

				
WJH1515 防爆电源开关 Explosion-proof power switch	WJH1516 防爆行程开关 Explosion-proof position switch	WJH1517 防爆照明灯 Explosion-proof lighting	WJH1518 防爆声光报警灯 Explosion-proof acousto-optic alarm lamp	
				
WJH1519 ABS 冲淋头 ABS shower head	WJH1520 ABS 洗眼盆 ABS eye wash bowl	WJH1521 不锈钢冲淋头 Stainless steel shower head	WJH1522 不锈钢洗眼盆 Stainless steel eye wash bowl	WJH1527 不锈钢拉杆 Stainless steel pull rod
				
WJHPT05 ABS 冲淋头 ABS shower head	WJH1523 ABS 推板 ABS push board	WJH1524 ABS 变径头 ABS reducer	WJH1525 不锈钢球阀 (1") Stainless steel ball valve (1")	WJH1526 不锈钢球阀 (1/2") Stainless steel ball valve (1/2")
				
WJH1528 不锈钢变径 (1" 变 1/2") Stainless steel reducer (1" to 1/2")	WJH1529 不锈钢变径 (1" 变 3/4") Stainless steel reducer (1" to 3/4")	WJH1530 不锈钢变径 (1 1/4" 变 1/2") Stainless steel reducer (1 1/4" to 1/2")	WJH1531 不锈钢变径 (1 1/4" 变 3/4") Stainless steel reducer (1 1/4" to 3/4")	WJH1532 过滤器 (3/4") Filter (3/4")
				
WJH1533 洗眼双喷头 Eye wash sprayer heads	WJH0358-12 洗眼双喷头 (可调节) Eye wash sprayer heads, each spray head equips with water-flow control	WJH1535 不锈钢脚踏板 Stainless steel pedal	WJH1537 不锈钢壁式支架 Stainless Steel Wall Bracket	WJH1538 PP 洗眼器排水管 Eye wash drain - pipe

公司部分业绩

- 辽宁鞍山灵山医院
- 吉林工业大学
- 长春市罗仕医院
- 哈尔滨第六制药厂
- 大连化工研究设计院
- 北京大兴妇幼保健院
- 北京首大耳鼻喉眼科医院
- 广西贺州人民医院
- 南宁人民医院
- 内蒙古陈巴尔虎动物监督所
- 内蒙莫旗动物疾病控制中心
- 内蒙古中医院
- 青海盐湖研究院
- 兰州大学
- 饶阳县中医院
- 衡水疾控中心
- 衡水动物疾病中心
- 河北大学附属医院
- 冀衡集团
- 石药集团
- 华北制药
- 河北师范大学
- 天津理工大学
- 天津南开大学化学系
- 北京积水潭医院
- 北京朝阳北京整形医院
- 北京海淀医院
- 渤海职业技术学院
- 郑州东方美容医院
- 商丘疾病预防控制中心
- 商丘平原医院
- 益海嘉里粮油
- 新疆建设兵团
- 中电四公司
- 阳煤集团
- 鄂尔多斯市金城泰化工有限责任公司
- 中煤黑龙江煤炭化工(集团)有限公司
- 四平昊华化工有限公司
- 内蒙古临海化工股份有限公司
- 利乐(中国)集团
- 蒙牛集团
- 光明乳业
- 哈尔滨双城娃哈哈食品饮料有限公司
- 双城娃哈哈乳品有限公司
- 中国石化第十建设公司
- 威海滨海石油钻探有限公司
- 中石油长城钻探
- 天津精华石化有限公司
- 天津金海石油工程服务有限公司
- 大庆东正油田
- 云南云天化国际化工股份有限公司
- 北京同仁医院
- 北京军区总医院
- 北京口腔医院
- 天津通标公司
- 天津泰达学院
- 天津大学环境学院土建馆
- 天津武警医学院
- 天津市武医学院
- 天津医大总医院
- 天津化工研究设计院
- 天津大学
- 天津泰达学院
- 天津科技大学
- 天津南开大学
- 天津河北工业大学
- 天津工业大学
- 天津血液中心
- 天津塘沽血站
- 天津石化大港培训中心
- 天津天士力集团
- 天津力生制药
- 天津万佳
- 石家庄科技开发区
- 河北北方学院
- 保定肉联厂
- 天津中国石化
- 哈尔滨生命科学院
- 吉林大学农学部
- 锦州疾病控制中心
- 航天三十一所
- 大连轻工学院
- 大连水产学院
- 大连昆阳药业
- 大连联华手性公司
- 大连海事大学
- 大连三仪动物药品
- 东北林业大学园林学院
- 东北林业大学动资学院
- 渤海大学
- 纽迪希亚
- 长春博泰
- 鞍山钢铁
- 山东烟台海军工程指挥学院
- 山东福瑞达生化公司
- 山东农科院高新技术
- 山东菏泽医专
- 山东省畜牧局
- 山东中医药大学
- 农业部动物检疫所
- 东营轮胎
- 贝卡尔特
- 德州学院
- 青岛血液中心
- 上海师范大学
- 上海技术物理研究所
- 上海医药工业研究院
- 上海中钞油墨

温馨提示:
 1. 以上只是部分业绩, 尚有众多知名案例未尽其中。
 2. 排名不分先后。